

IMPORTANT / Read below before you begin...

1. Read through the instructions and study assembly figure of each step. Grasp of general procedure makes ease of your assembly.
2. Before assembling check the parts to make sure that all are included. Handle them carefully not to misplace any of them.
3. Keep in mind the importance of not rushing the assembly. Haste usually results in a poorly assembled model. It is important that assembly instructions are followed carefully. After cutting or breaking off the required part, trim away excess bits of plastic that are not part of the usable piece. Use a small sharp knife and finish the part if necessary by fine sandpaper.
4. Since your YAMATO kit consists of more than 600 parts, do not detach parts from the "tree" until you are ready to use them.
5. Paint all the parts where indicated following directions in each step, and let dry before assembling.
6. To strengthen smaller parts the YAMATO kit is composed of two kinds of material viz. Styrene Plastic and ABS Resin. Therefore, to cement them either super binding agent Adhertic or ABS Nichi Bond must be used as indicated.
7. If you plan to fit handrails and handrail stanchions, study first the assembly drawing (P. 24). Before assembly of any other parts take out the flying deck plates No. 1-No. 4 and upper deck No. 5. Check them and bore the handrail holes, where not drilled through, from the back side using a needle. Fit handrails to deck plate No. 4 before cementing it to the hull.

Particulars of the Model

Length overall..... 1,315mm
 Breadth max. 186mm
 Height overall..... 271mm
 Main guns worked by automatic turning gear ...
 Radar type 21 and 15m. range finder interlocked to main guns
 On-off seachlights.
 High-and-low speed change switch
 Four propellers in authentic scale
 Molded color deck
 Variable auxiliary guns and high angle guns, etc.
 Metal anchor cables
 Patented waterproof system applied
 Can be powered by radio control

Your YAMATO kit is an authentic plastic kit based on the Navy secret drawings No.19, 215~220 drawn on February 7, 1944 for reconstruction at Kure Navy Yard and many other reliable reference drawings. The kit shows her majestic appearance at time of the battle of Leyte Gulf.

Model designed by Mr. KOZO IZUMI.

Electric Motors

Electric motor for propulsion MABUCHI RS-54K

Electric motor for turret turning MABUCHI RE-26

Dry Batteries (to be purchased separately)

4 set, 1½V. batteries UM 1(A) 8 pcs.

1 set, 1½V. batteries UM 2(A) 2 pcs.

Parts List (plastic parts omitted)

No.	Item	Quantity	No.	Item	Quantity
1	Reduction gear for 4 propeller shafts	1 set	19	Square shaft for turning range finder	1 pce.
2	Turret turning gear	1 set	20	Vinyl pipe	1 pce.
3	Propeller shaft (inner)	2 pcs.	21	66 cm red cord	1 pce.
4	Propeller shaft (outer)	2 pcs.	22	46 cm blue cord	1 pce.
5	Propeller shaft pipe (inner)	2 pcs.	23	20 cm red cord	1 pce.
6	Propeller shaft pipe (outer)	2 pcs.	24	12 cm blue cord	2 pcs.
7	Spring joint for motor shaft (large)	1 pce.	25	6 cm blue cord	1 pce.
8	Spring joint for propeller shaft (small)	4 pcs.	26	3×7 mm self tapping screw	25 pcs.
9	Spring for rudder	1 pce.	27	2.6×7 mm self tapping screw	2 pcs.
10	Rudder shaft	1 pce.	28	2.6 mm nut	2 pcs.
11	Handrail stanchion	1 pack	29	3×8 mm washer	9 pcs.
12	Handrail wire	14 pcs.	30	Green felt for model support	2 pcs.
13	Battery box for UM 2(A)	1 pce.	31	Adhesive: "Adhertic"	
14	Miniature bulb	4 pcs.	32	Adhesive: "ABS Nichi Bond"	
15	Slide switch (with cord)	1 pce.	33	Silicon grease	
16	Switch metal	2 pcs.	34	Contact metal	1 pce.
17	Battery connector	4 pcs.	35		
18	Anchor cable	2 pcs.	36		

Hull Assembly - 1. Painting Bottom Color

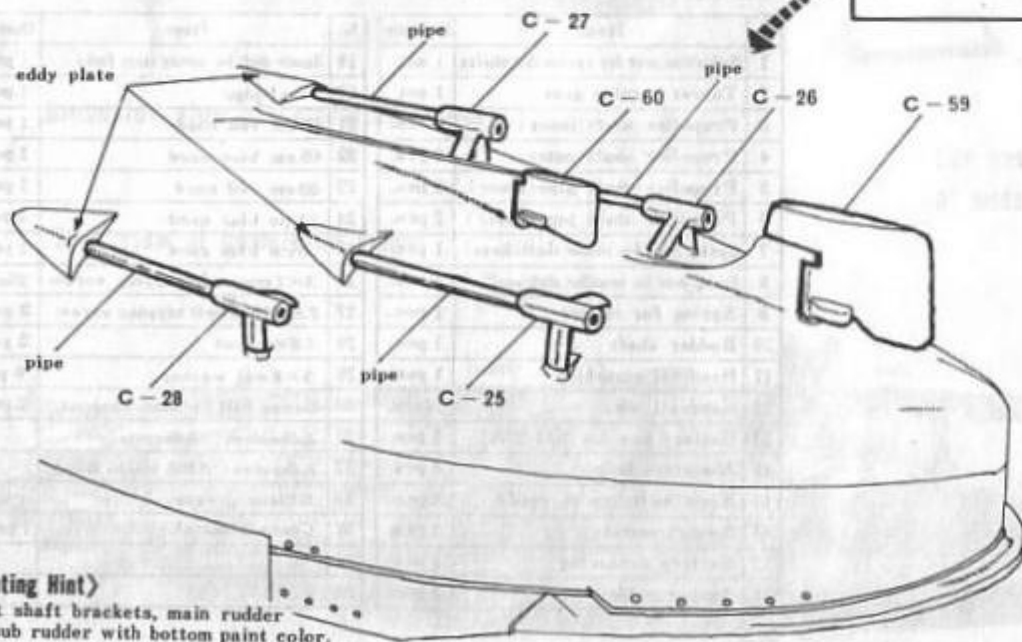
Paint hull below water line with bottom color. Put masking tape on the marking-off line on the hull. (NOTE: The correct water line is not horizontal but makes an easy sheer with slight rise at each end.) Then paint bottom with plastic lacquer-mixing ratio: 20% red 65% brown 10% black and 5% white. Use only enamel or paints for plastic. Bottom area is best covered with a soft brush 1 or 3/4 in. wide. Allow paint to dry thoroughly and scrape dry paint from areas which will be cemented. Cement does not hold well to paint.



(Painting hint) Round and square scuttles should be painted out black.

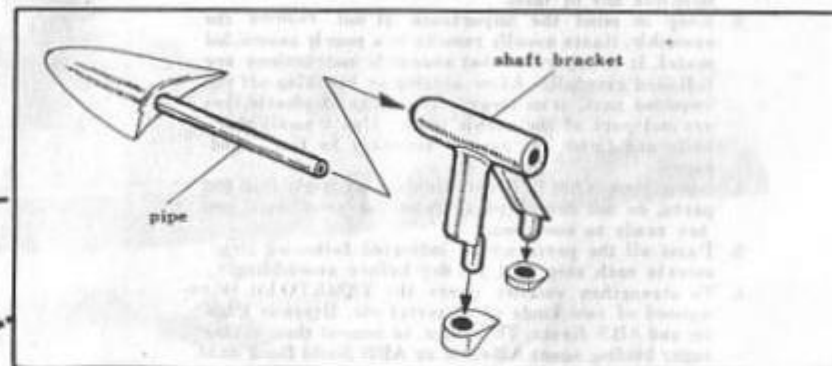
2. Fitting Pipes and Shaft Brackets (Use ABS Nichi Bond.)

- 1) Thrust pipe into each eddy plate.
- 2) Turn model over and cement shaft brackets to the hull as shown in drawing.
- 3) Thrust pipes into shaft brackets.



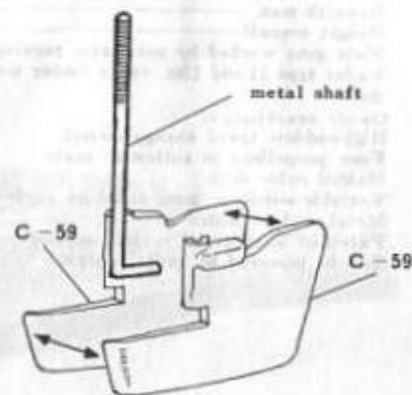
(Painting Hint)

Paint shaft brackets, main rudder and sub rudder with bottom paint color.



3. Rudder Assembly

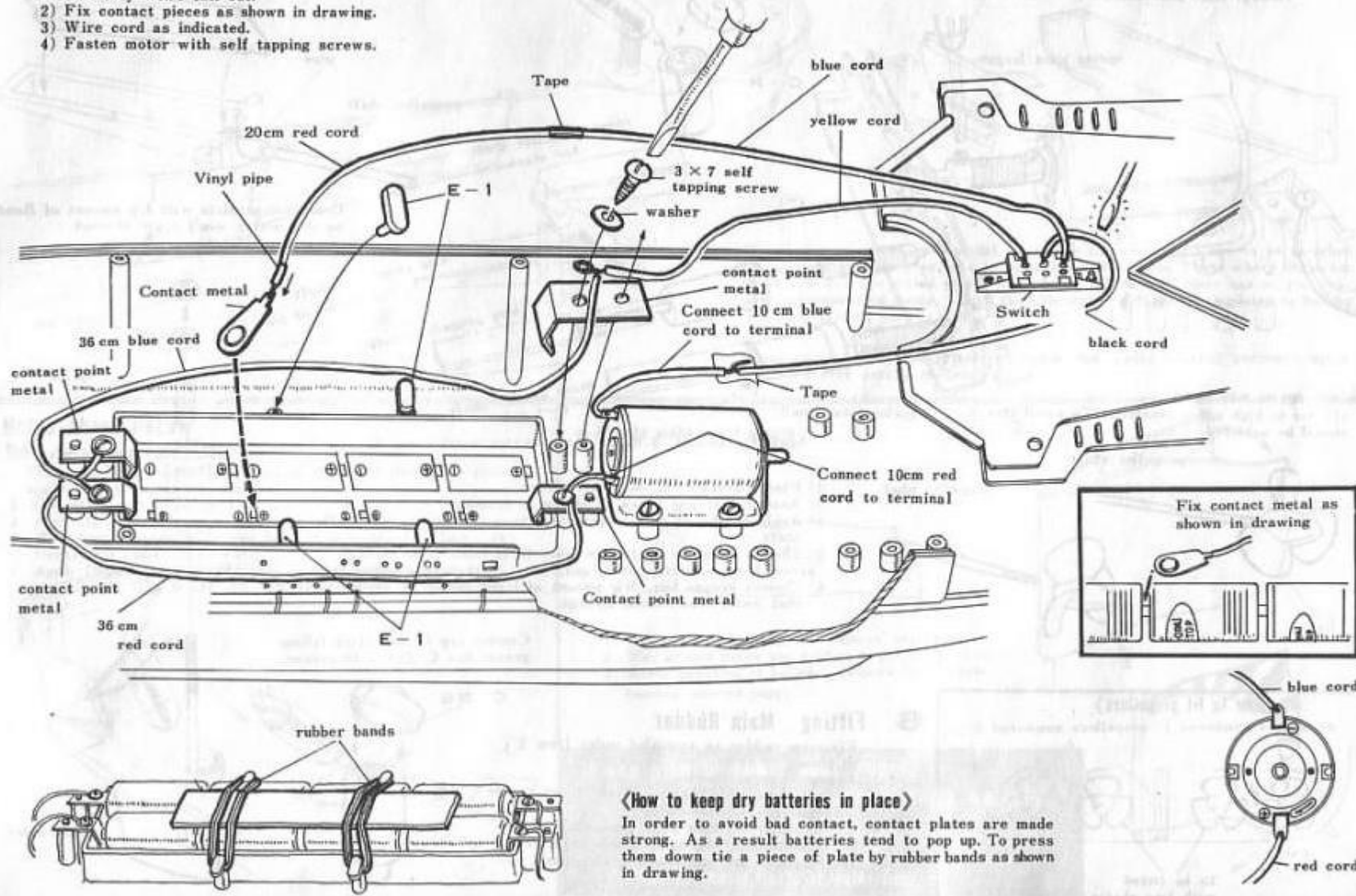
- 1) Cement C-59 right and left halves of main rudder together with shaft in between.
 - 2) Cement C-60 sub rudder halves together. Cement it well in place to bottom as shown in drawing, so that no water enters through hole.
- * For fitting main rudder C-59 refer to p. 4.



4. Wiring and Motor Fitting

- 1) Cement hooks for battery box E-1 well in place so that they won't fall out.
- 2) Fix contact pieces as shown in drawing.
- 3) Wire cord as indicated.
- 4) Fasten motor with self tapping screws.

If radio control set is to be mounted, wiring should not be performed this way. Follow direction in radio control set.

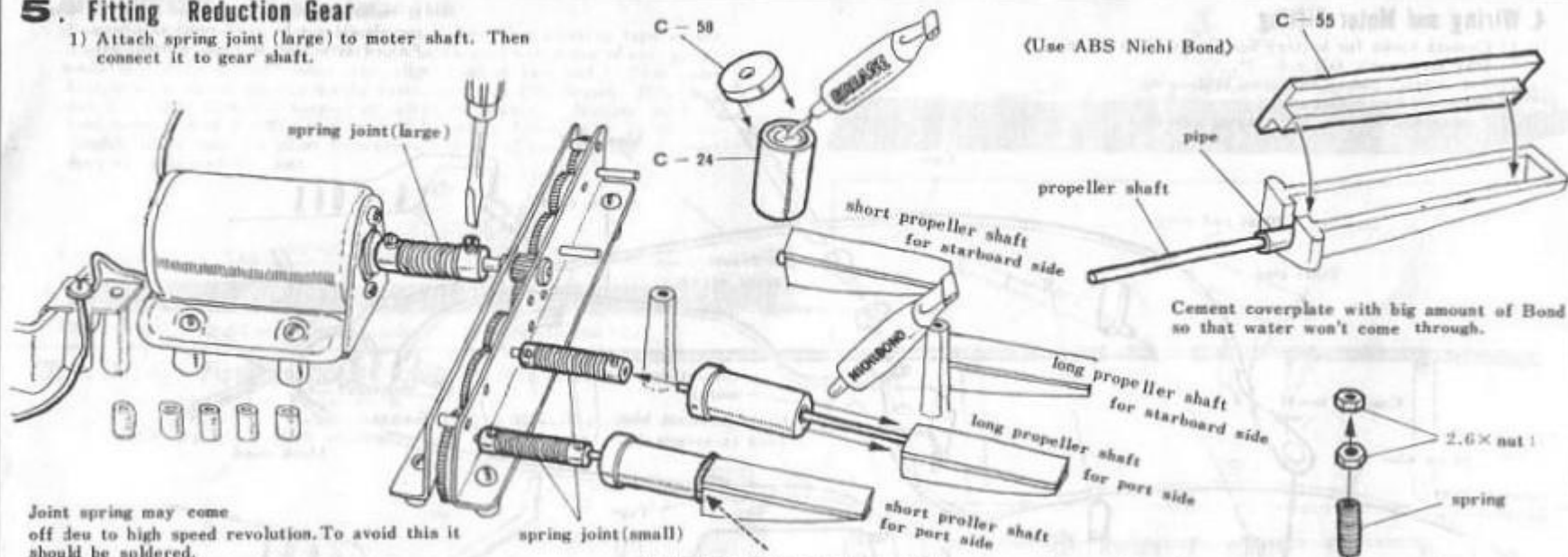


How to keep dry batteries in place

In order to avoid bad contact, contact plates are made strong. As a result batteries tend to pop up. To press them down tie a piece of plate by rubber bands as shown in drawing.

5. Fitting Reduction Gear

- 1) Attach spring joint (large) to motor shaft. Then connect it to gear shaft.



Joint spring may come off due to high speed revolution. To avoid this it should be soldered.



Apply big amount of Bond so that water won't come through.

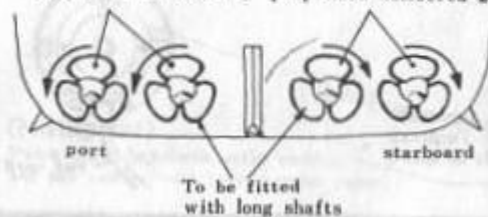
- 2) Place covers C-55 onto shaft boxes.
- 3) Assemble grease boxes as shown in drawing.
- 4) Apply Bond into hole of propeller boss and screw in propeller shaft.
- 5) Thrust propeller shaft into pipe. Next make it go through grease box, connecting it to gear shaft by the use of spring joint.
- 6) Cement grease box. Big amount of Bond should be applied so that water won't come through.

Cement cap C-23B after filling grease box C-23A with grease.



(How to fit propellers)

propellers numbered 1 propellers numbered 2

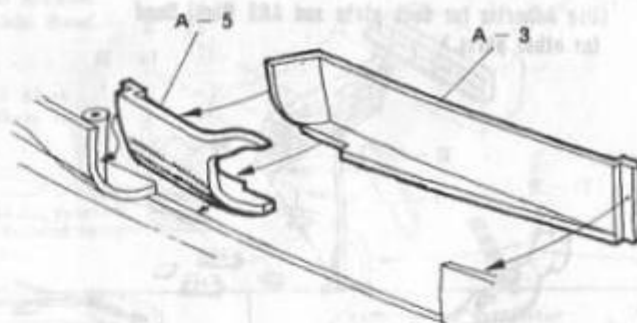
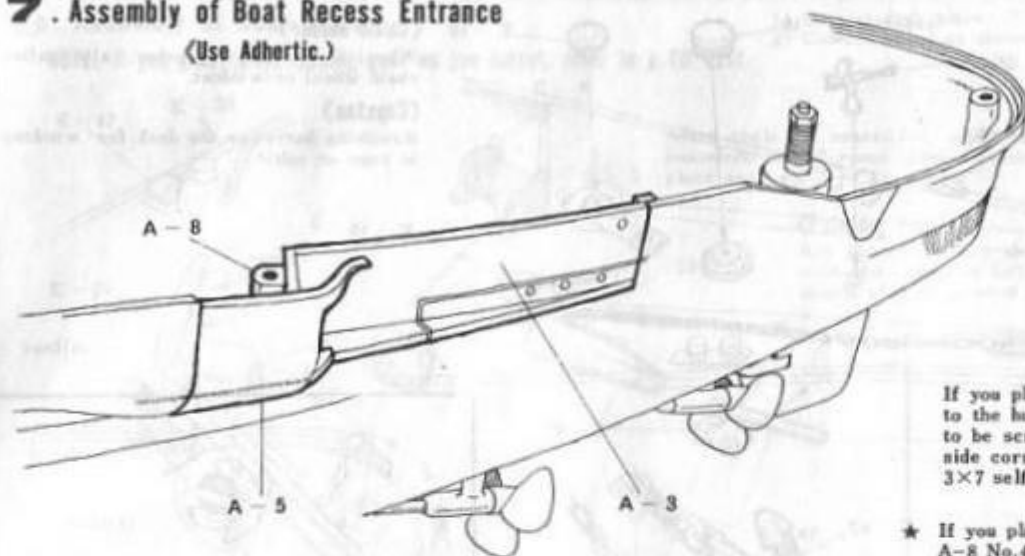


6. Fitting Main Rudder

- 1) Fix main rudder as assembled under Item 3, in place.
- 2) Assemble grease boxes.
- 3) Cement them with big amount of Bond so that water won't come in.
- 4) Cover shaft extruding from grease box with spring, fastening it by nuts. Double nuts are to be used to prevent loosening of spring.

7. Assembly of Boat Recess Entrance

(Use Adhortic.)



If you plan to power your model, decks No.3 through No.5 are to be attached to the hull by tapping screws to make them removable. Posts where decks are to be screwed are fitted inside hull platen. Each deck plate has on its rear side corresponding dents. Drill them through and fasten deck plates to hull by 3x7 self tapping screws.

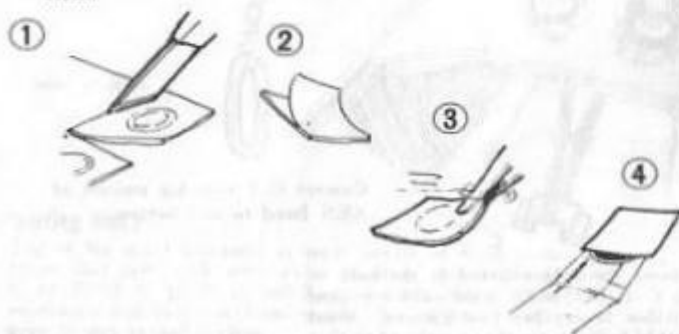
★ If you plan to make deck plate removable for radio control purposes, apply A-8 No.4 deck setting pieces.

Notes about Decals

These Decals are waterproof.

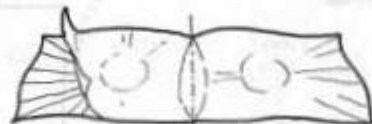
They should be carefully applied on the right place, as once applied, they cannot be removed.

1. Cut off Decal to be used.
2. peel off separator (thin paper).
3. Wet ground paper. Do not keep it in water too long, as Decal will come off in water.
4. Apply Decal in place and press over ground paper. After a short while take it off. Dry Decal by patting it with soft cloth.



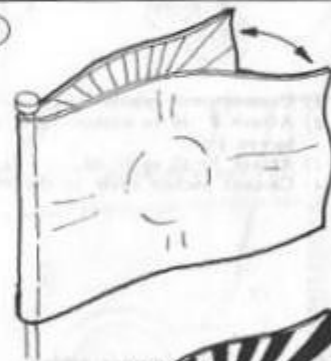
★ How to make naval ensign

①



1. Cut out naval ensign and remove separator.
2. Wet ground paper and fold it to paste, as shown.
3. After pressing it between fingers for a while remove ground paper.

②



③

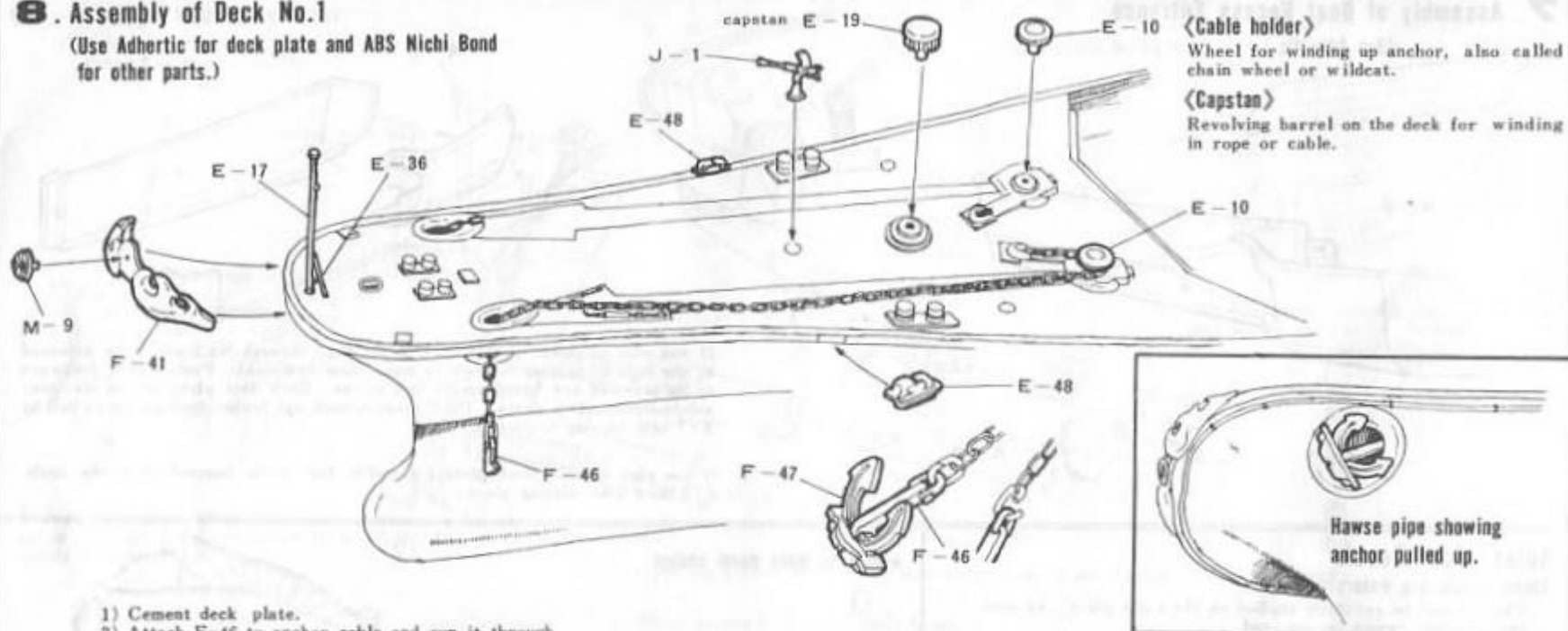


If you plan to power your model,
it should carry weights.

Put sand in plastic bags after extracting parts, and place them in space on the sides of battery box so that the model floats at water line.

B. Assembly of Deck No.1

(Use Adhertic for deck plate and ABS Nichi Bond for other parts.)

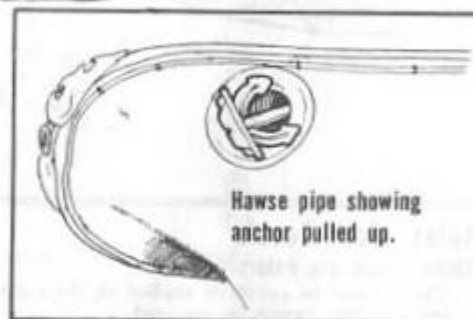


<Cable holder>

Wheel for winding up anchor, also called chain wheel or wildcat.

<Capstan>

Revolving barrel on the deck for winding in rope or cable.

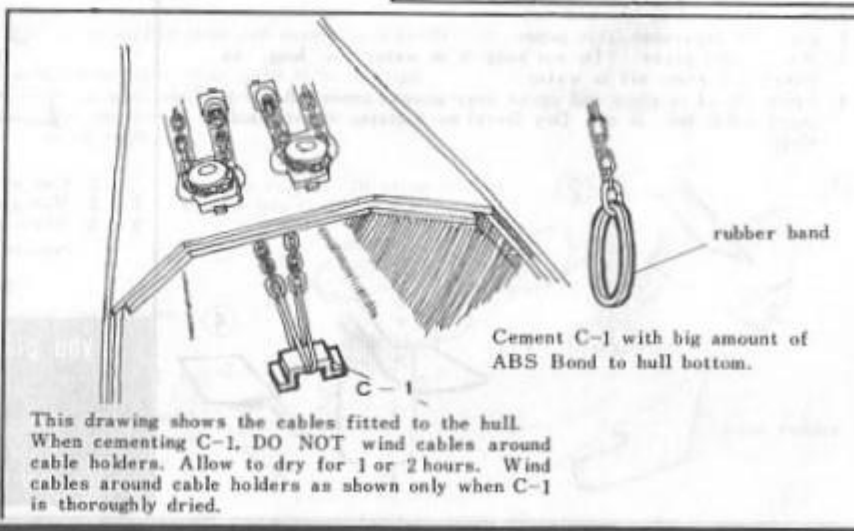


Hawse pipe showing anchor pulled up.

- 1) Cement deck plate.
- 2) Attach F-46 to anchor cable and run it through hawse pipe.
- 3) Attach F-47 to F-46.
- 4) Cement anchor cable to the hull.

<Order of fitting anchor cable>

- 1) Put anchor shank to the last link of anchor cable by pulling it open.
- 2) Run cable through hawse pipe.
- 3) Cement anchor.
- 4) Place anchor at hawse pipe by lightly pulling anchor cable and correct angle between shank and anchor. (Ref. drawing above right) Cement them, and allow to dry for 1 or 2 hours.
- 5) Pull open the link at the other end of cable which is in the hull to attach a rubber band.
- 6) Put part C-1 through rubber bands and cement it to hull bottom. (drawing at right)



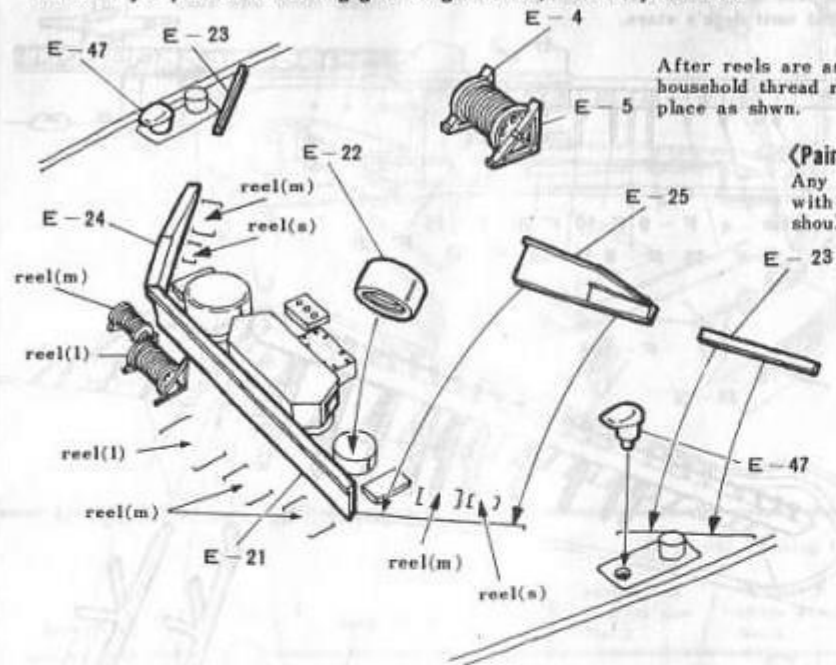
Cement C-1 with big amount of ABS Bond to hull bottom.

This drawing shows the cables fitted to the hull. When cementing C-1, DO NOT wind cables around cable holders. Allow to dry for 1 or 2 hours. Wind cables around cable holders as shown only when C-1 is thoroughly dried.

9. Assembly of Deck No.2

NOTE: If you plan to fit turning gear on gun turret, refer to p.10 first.

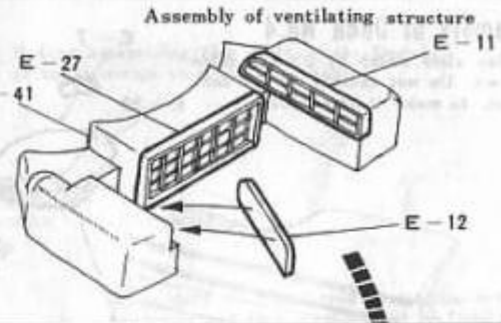
- 1) Cement deck plate. (Use Adhertic.)
- 2) Cement parts as shown in drawing. (Use ABS Nichi Bond.)



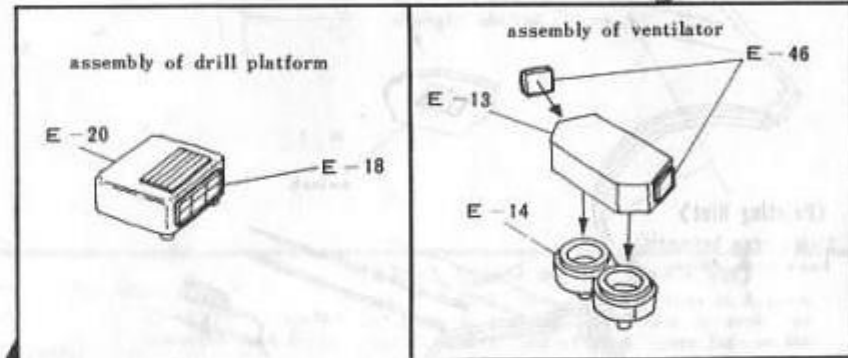
After reels are assembled, wind usual black household thread round them. Cement them in place as shown.

<Painting Hint>

Any bosses on deck should be painted with gray same as hull. Bollard beds should also be painted gray.

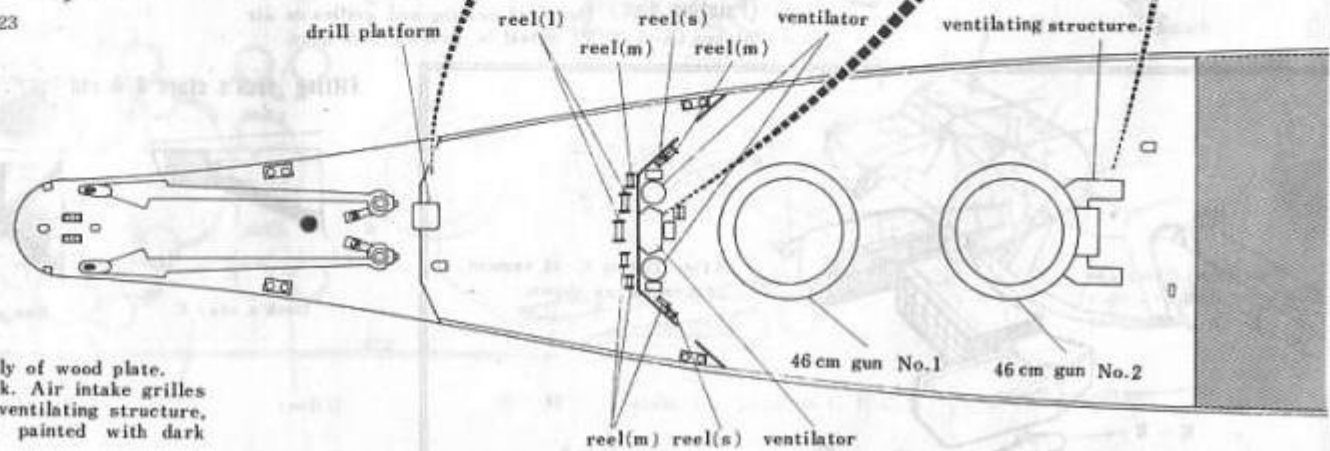


Cement breakwaters E-21, E-25 and E-23 on masking line on the deck.



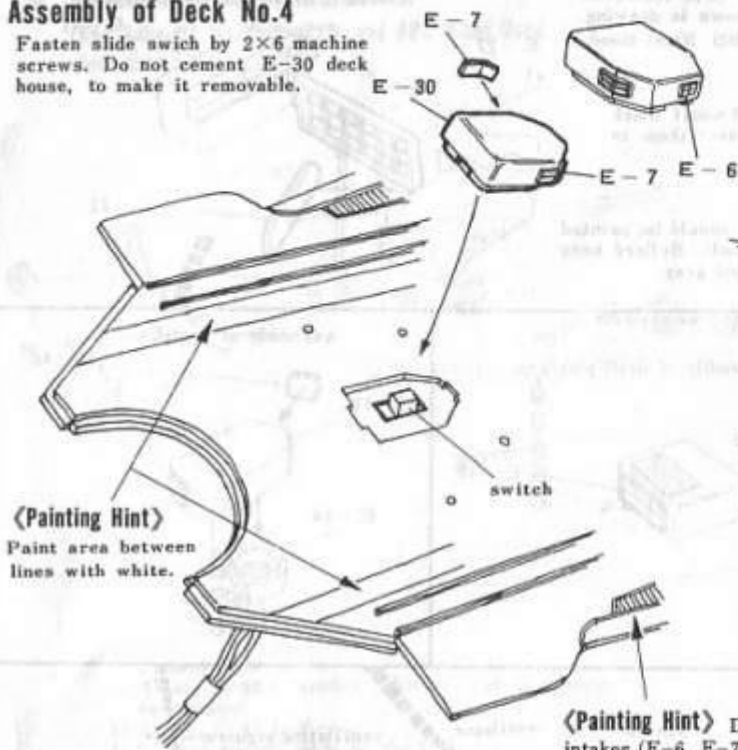
<Painting Hint>

Top of the drill platform is made partly of wood plate. Paint that part with same color as deck. Air intake grilles E-11, E-12, E-27, E-18 and E-46 on ventilating structure, ventilator and drill platform should be painted with dark gray to get actual feeling.



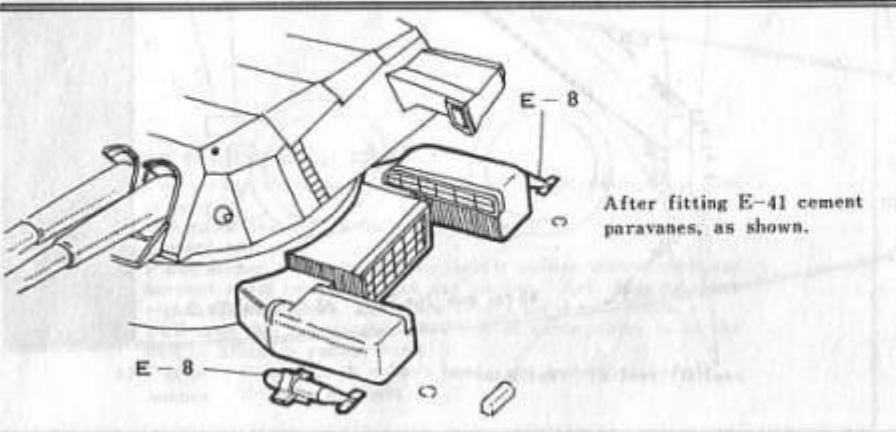
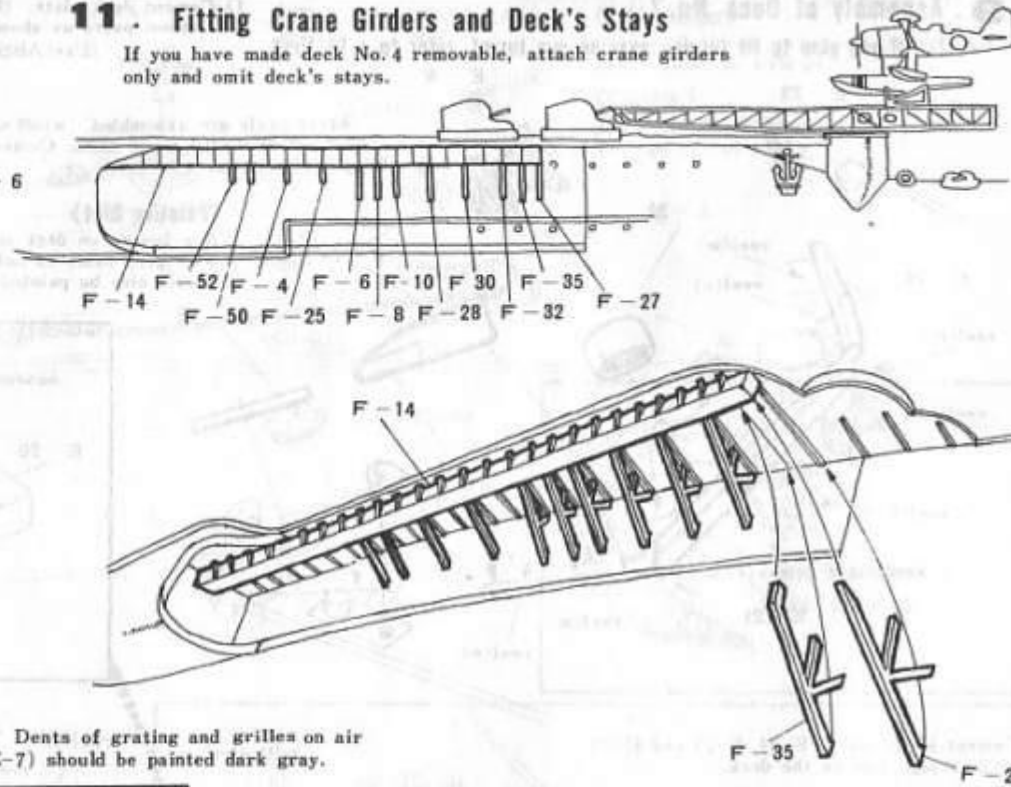
Assembly of Deck No.4

Fasten slide switch by 2x6 machine screws. Do not cement E-30 deck house, to make it removable.



11. Fitting Crane Girders and Deck's Stays

If you have made deck No.4 removable, attach crane girders only and omit deck's stays.

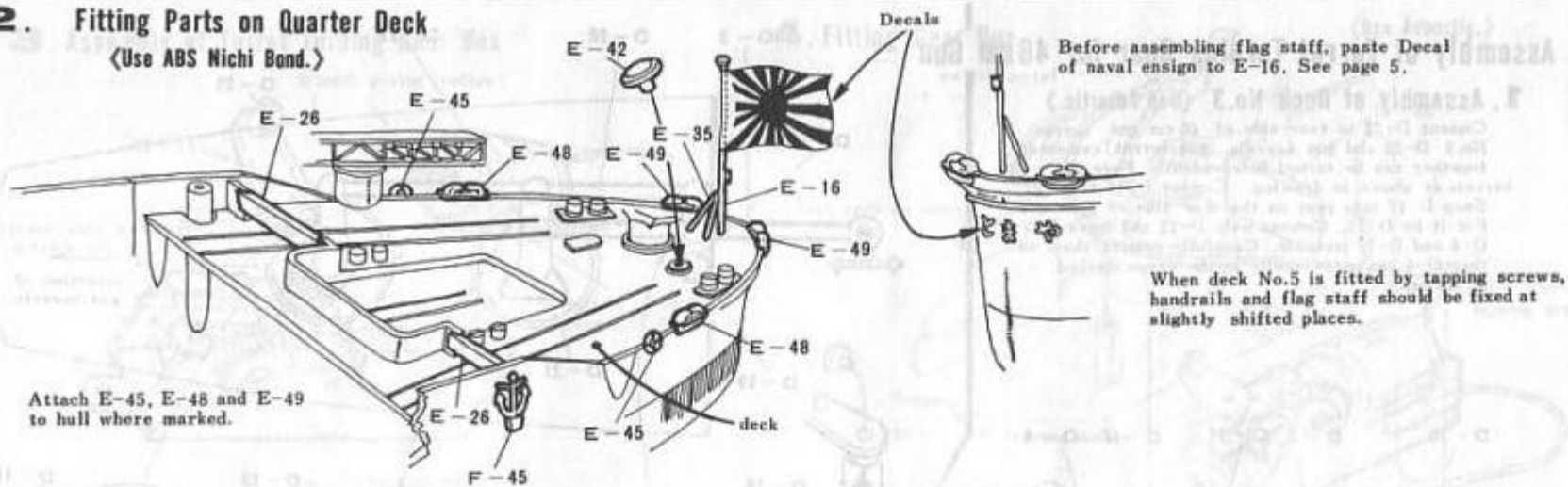


Fitting deck's stays A, B and C.

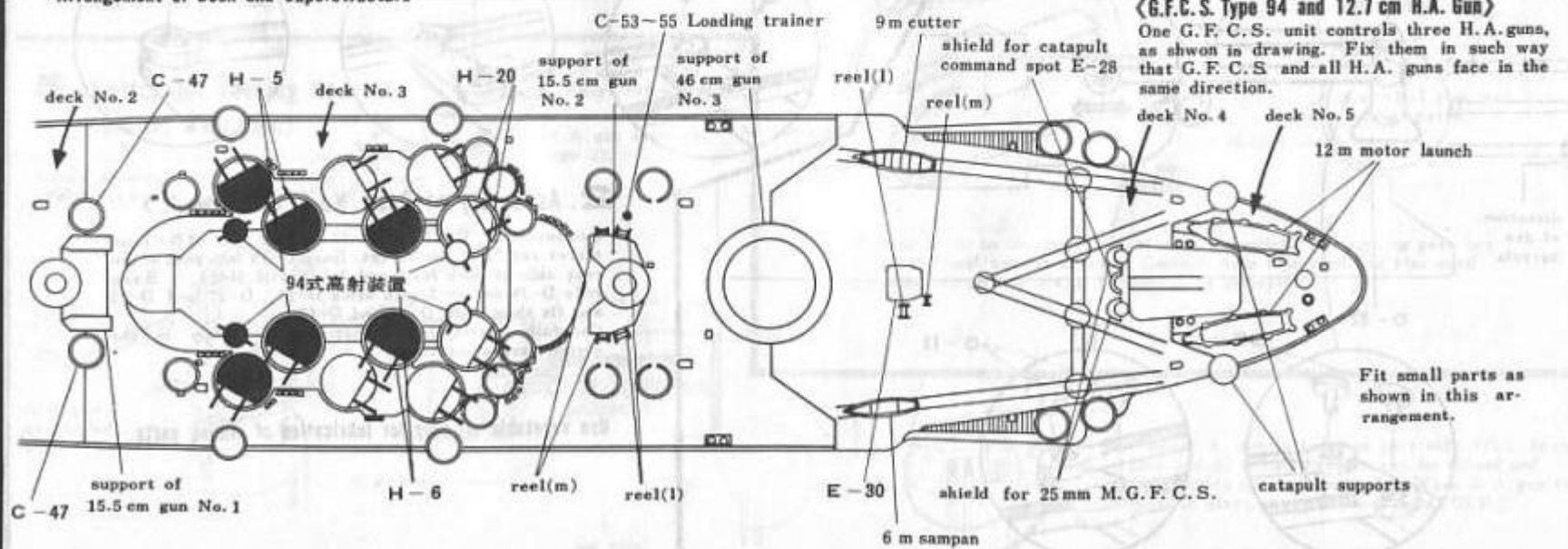


12. Fitting Parts on Quarter Deck

(Use ABS Nichi Bond.)



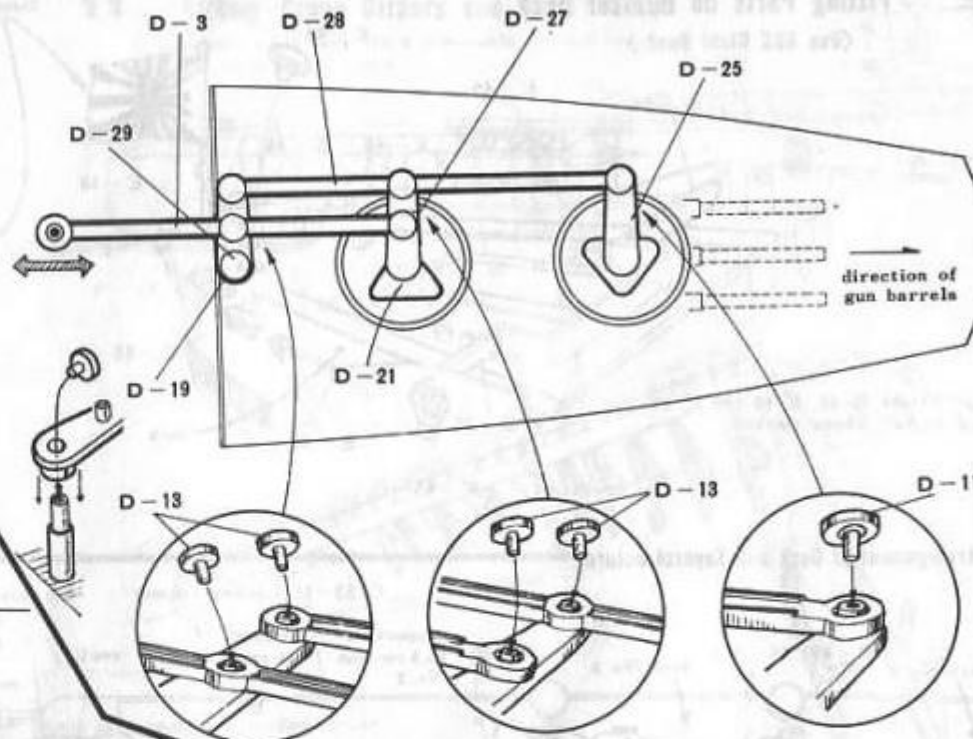
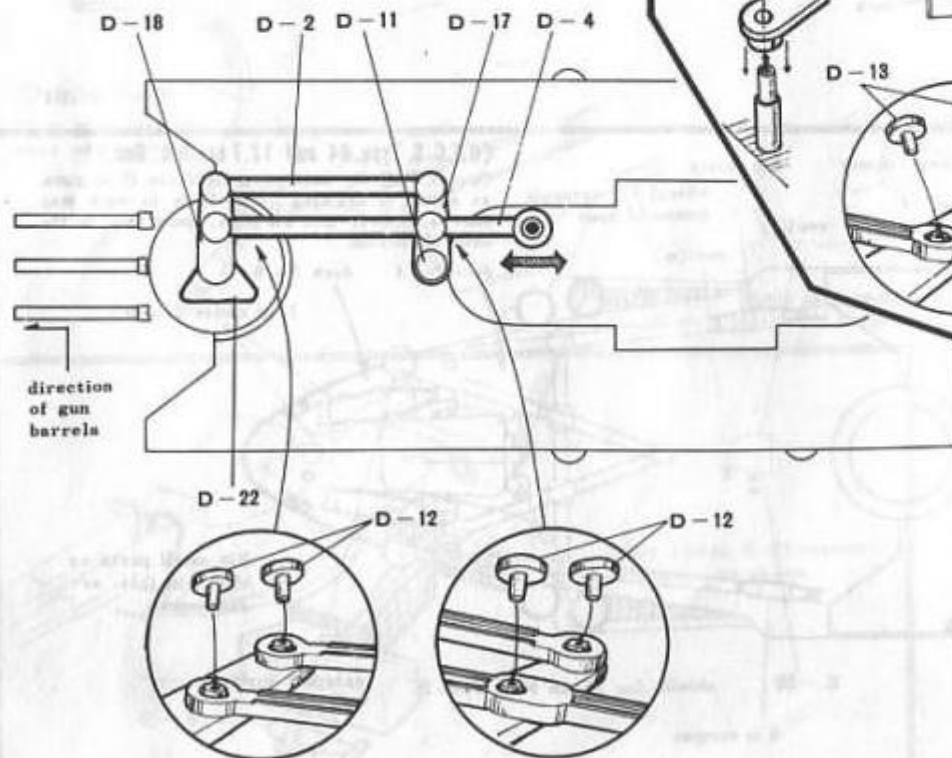
Arrangement of Deck and Superstructure



Assembly of Turret Turning Gear for 46 cm Gun

1. Assembly of Deck No.3 (Use Adhertic.)

Cement D-22 to rear side of 46 cm gun turret No.3 D-22 and gun barrels. (gun turret) cemented together can be turned independently. Face gun barrels as shown in drawing. Cement D-18 to D-22. Snap D-17 into post on the rear side of deck and Fix it by D-11. Cement only D-12 and leave D-2, D-4 and D-17 movable. Carefully cement them so that D-4 can move easily in the arrow marked direction.

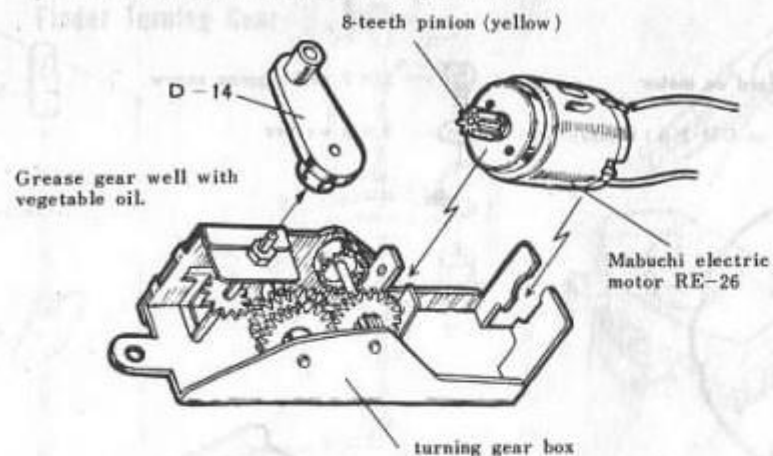


2. Assembly of Deck No.2 (Use Adhertic.)

Cement D-25, D-21 and D-27 to rear side of No.1 gun turret and No.2 gun turret. Snap D-19 into post on the rear side of deck No.2 and fix it with D-29. Snap rods D-28 and D-3 onto arms D-25, D-27 and D-19 and fix them with D-11 and D-13. Carefully cement D-3 so that it moves easily in the arrow marked direction.

Use vegetable oil only for lubrication of sliding parts.

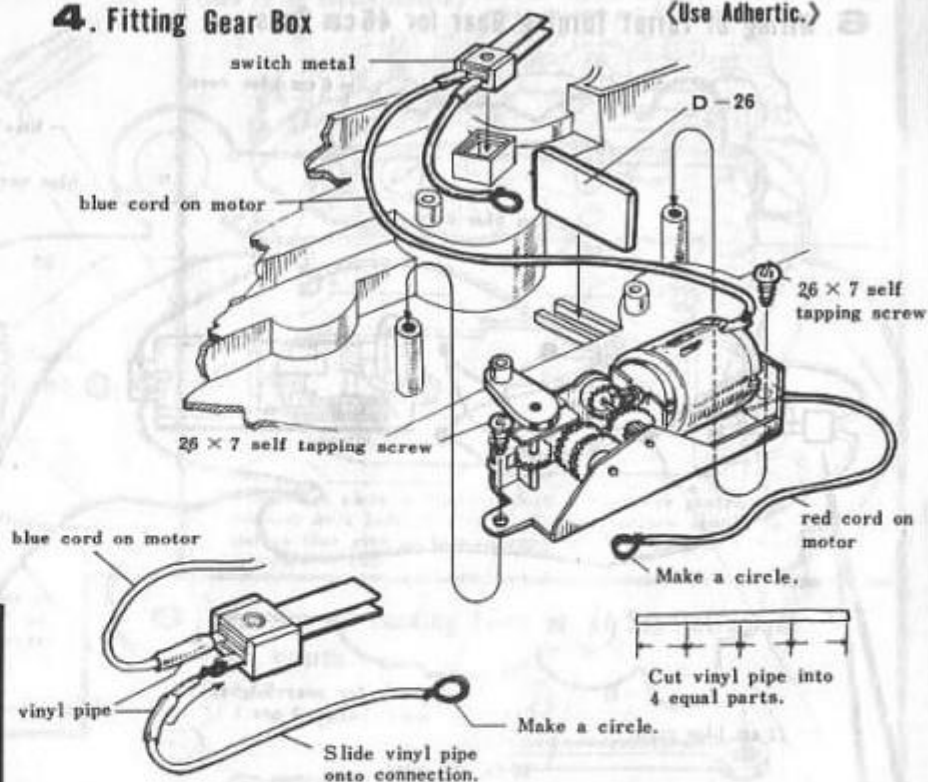
3. Assembly of Turret Turning Gear Box



Hammer 8-teeth pinion into motor. Hammer D-14 onto shaft of turning gear box and fix.

4. Fitting Gear Box

(Use Adhertic.)

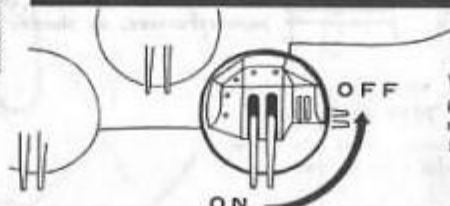
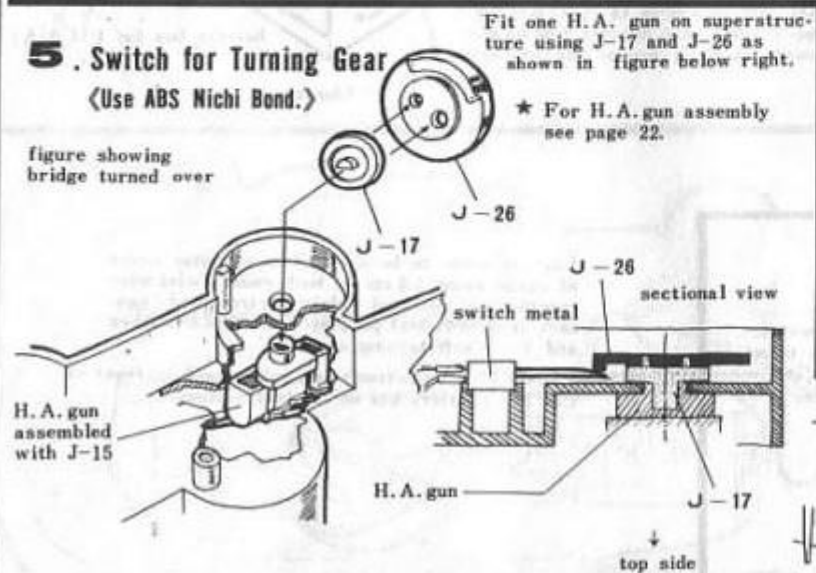


Cement D-26 on the rear side of superstructure. Fix turning gear box by 26 x 7 self tapping screws. Connect 6 cm blue cord and blue cord on motor to switch metal. Cement it as indicated.

5. Switch for Turning Gear

(Use ABS Nichi Bond.)

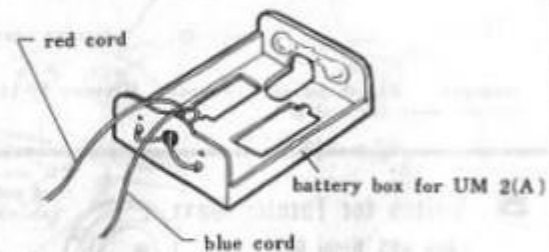
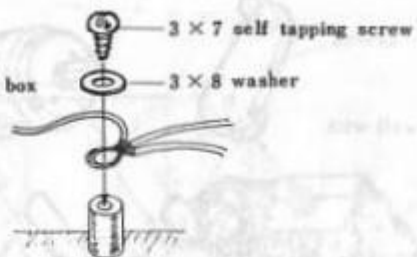
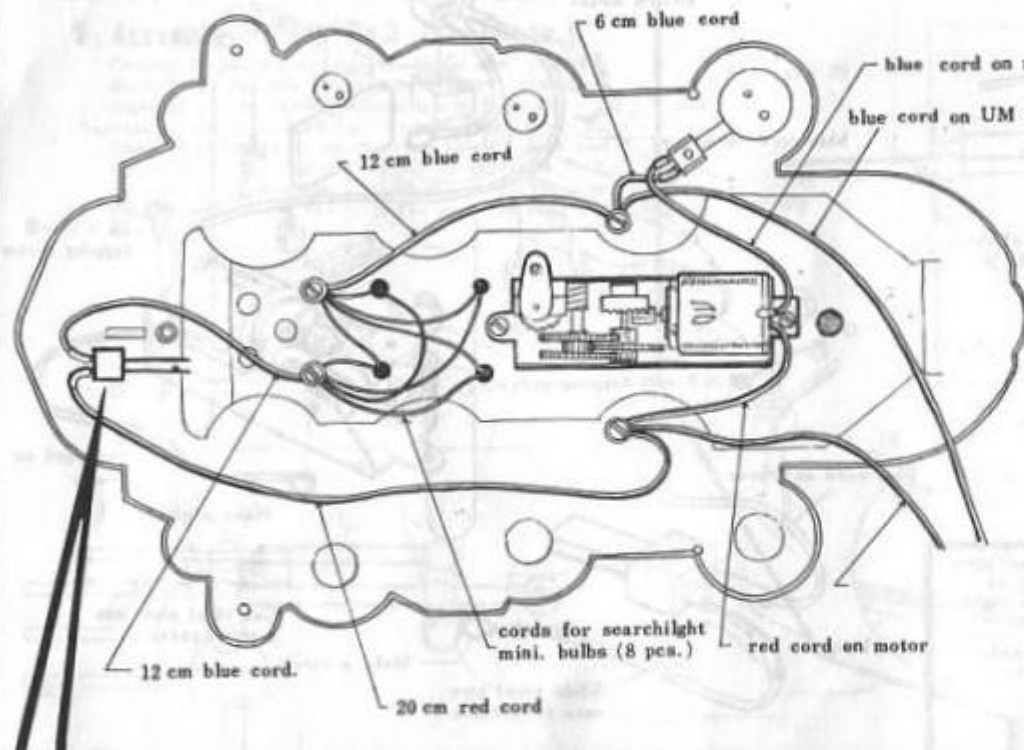
figure showing bridge turned over



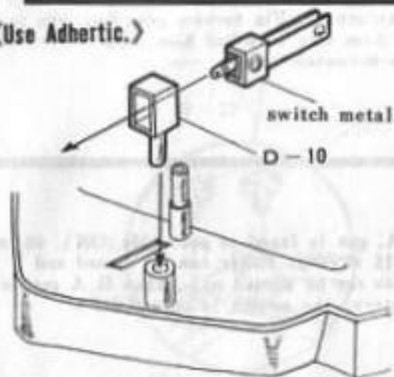
When H.A. gun is faced to port side (ON), 46 cm guns and 15 m range finder can be turned on. When H.A. gun is faced to stern, the switch is open (OFF).

6. Wiring of Turret Turning Gear for 46 cm Guns

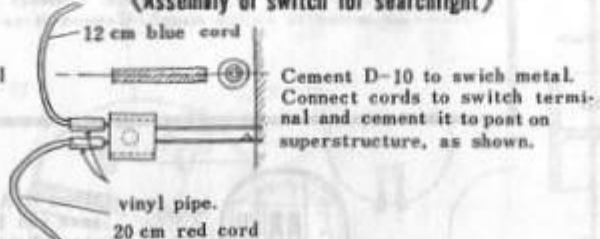
<How to connect cords to terminal post>



<Use Adhertic.>



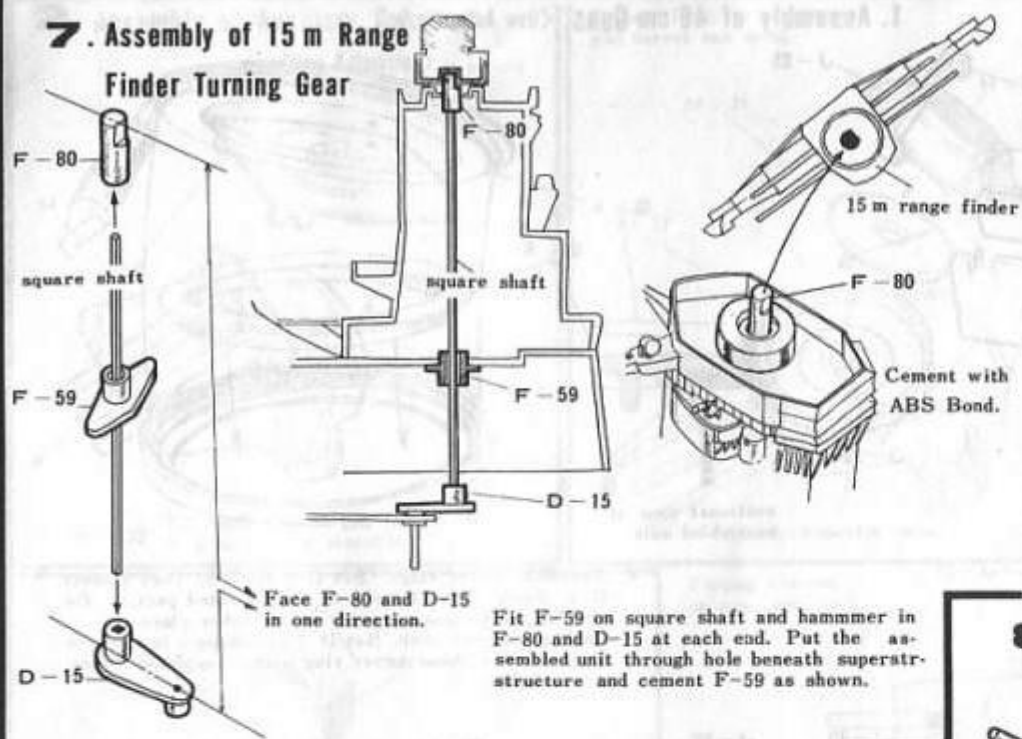
<Assembly of switch for searchlight>



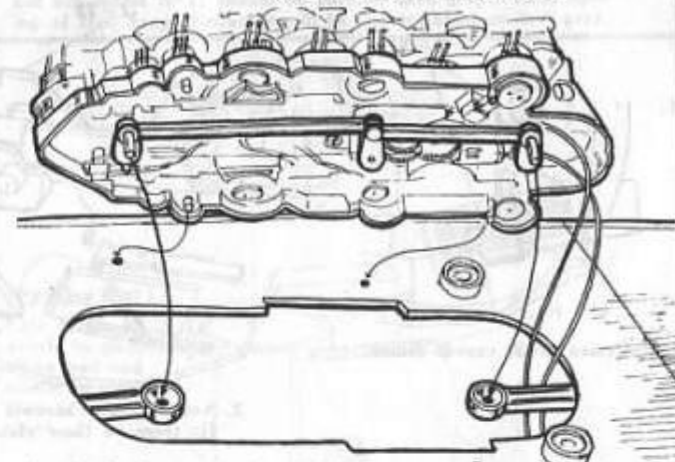
Lay out cords to be used. Remove outer cover of cords about 1.5 cm on both ends. Twist wire together as indicated. Make a circle and connect it to terminal post by using 3x8 washer and 3x7 self tapping screw.

Place UM 2(A) battery box, when used, in front of UM 1(A) battery box on the hull bottom.

7. Assembly of 15 m Range Finder Turning Gear



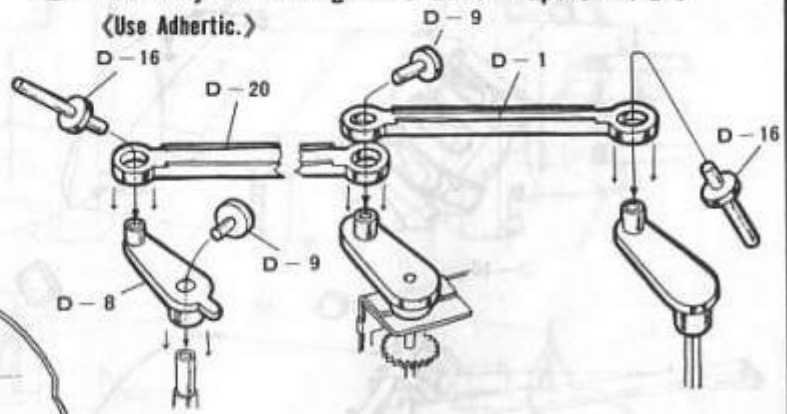
<How to fix superstructure> Do not cement as battery box is to be taken in and out through here.



When deck plate is fitted on hull, 2 arms are protruding beneath deck hole as shown. Superstructure should be put so that pins on turning arms (D-16) snap in holes on arms in hull.

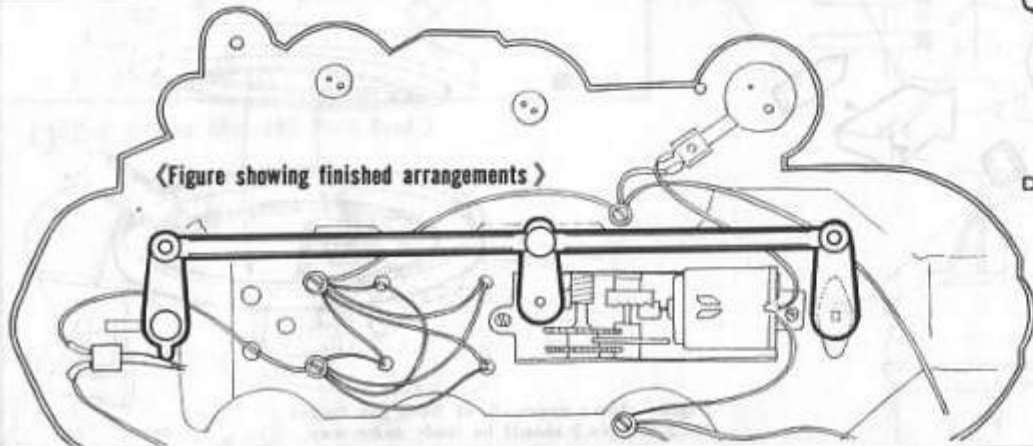
8. Assembly of Turning Arms under Superstructure

<Use Adhertic.>



Put D-8 through post on superstructure and fix it by D-9. Snap D-20 and D-1 onto gear box arm and arm on square shaft respectively. fixing them by D-16 and D-9. Carefully apply cement not to put it on sliding parts.

<Figure showing finished arrangements>



1. Assembly of 46 cm Guns (Use Adhortic.)

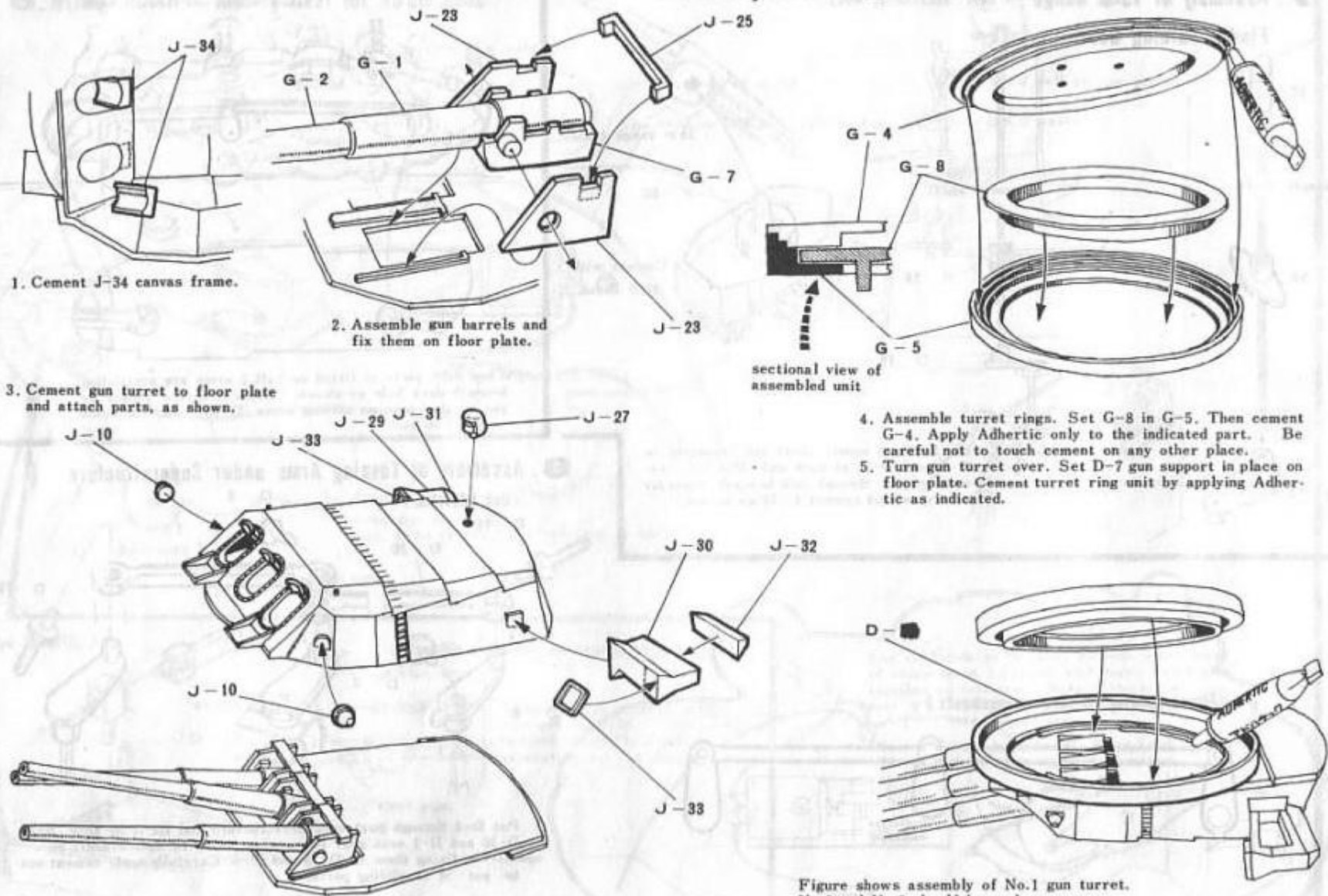
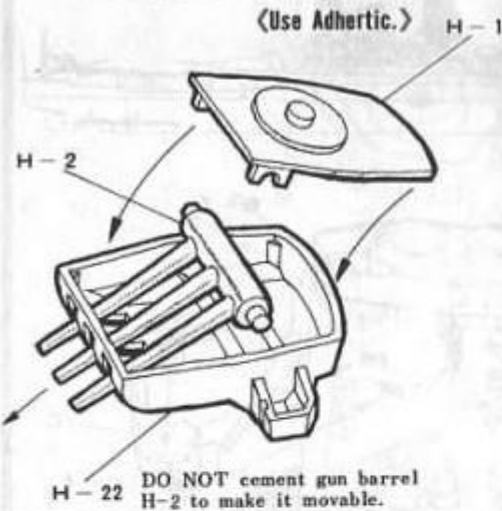


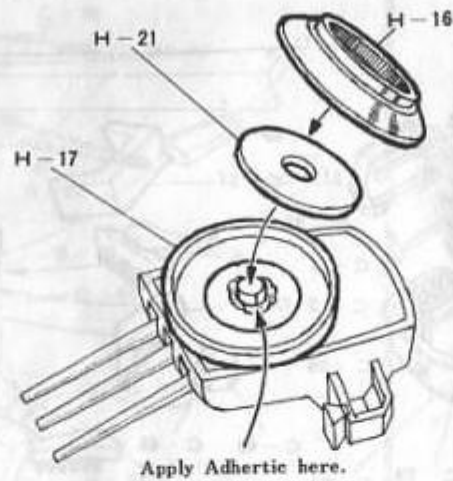
Figure shows assembly of No.1 gun turret. No.2 and No.3 should be made same way.

2. Assembly of Auxiliary Guns

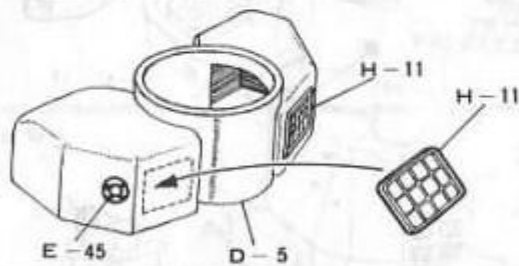
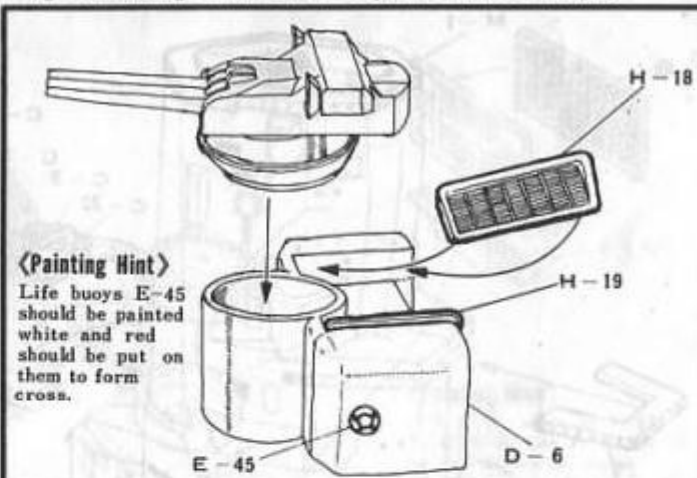
(Use Adhertic.)



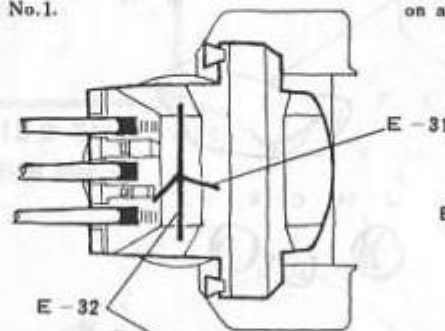
Cement H-21 in a way aux. gun turret can turn.



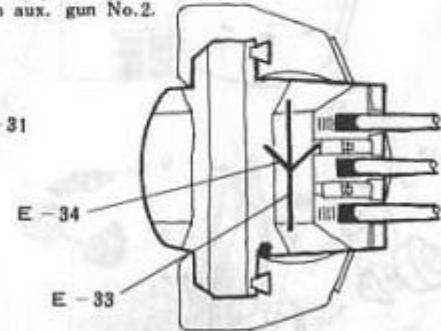
(Painting Hint) Dents of grilles for air intakes H-18, H-19 and air outlet H-11 should be painted dark gray. Lens opening of H-7 range finder should be painted black or dark gray.



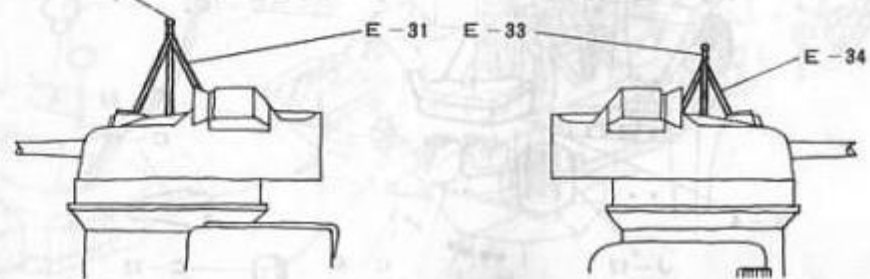
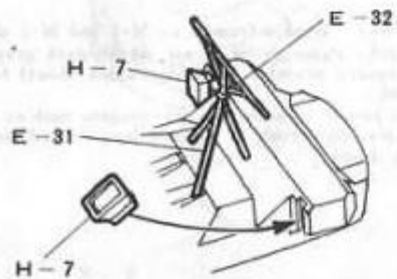
Fitting antenna on aux. gun No.1.



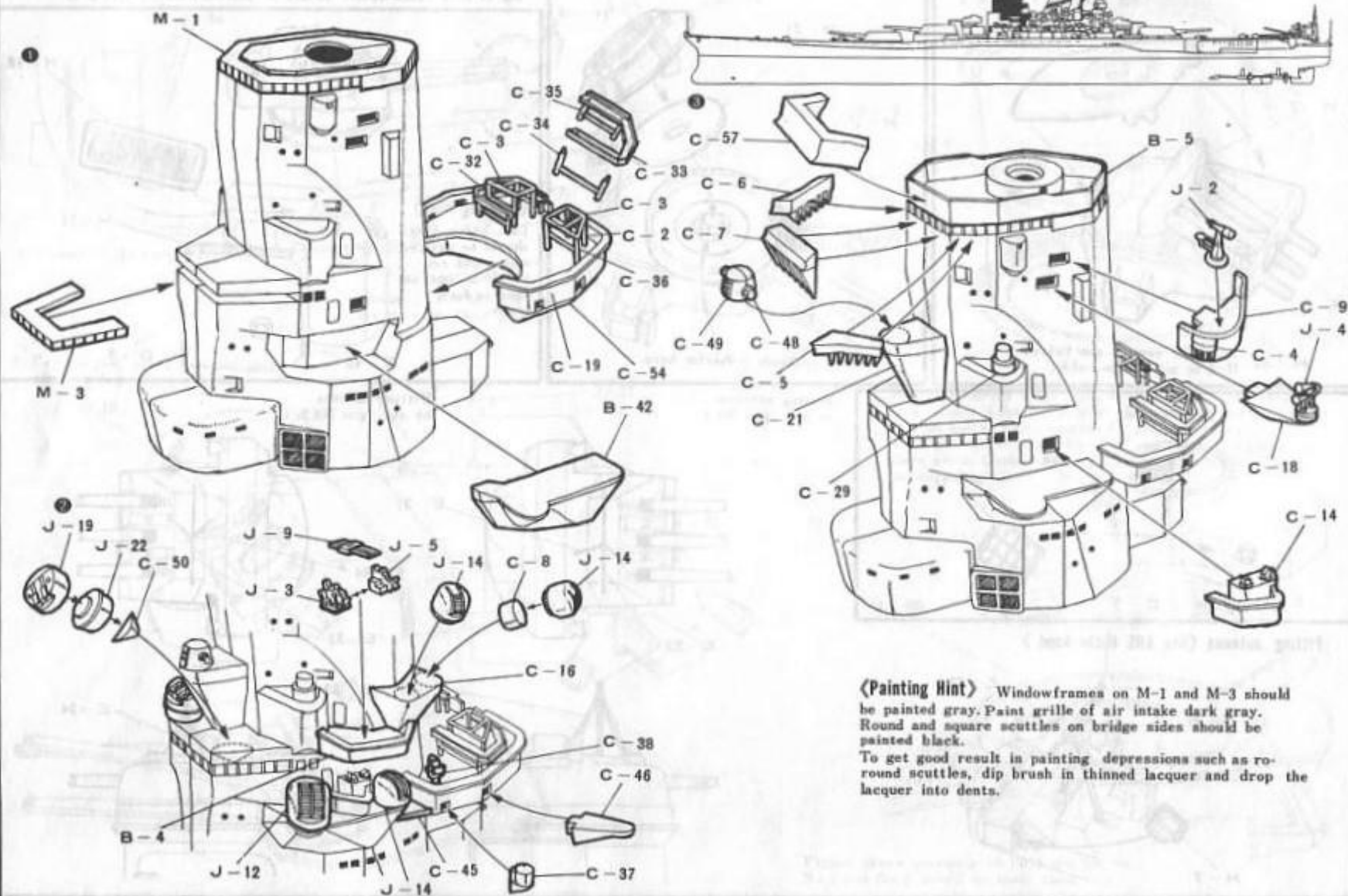
Fitting antenna on aux. gun No.2.

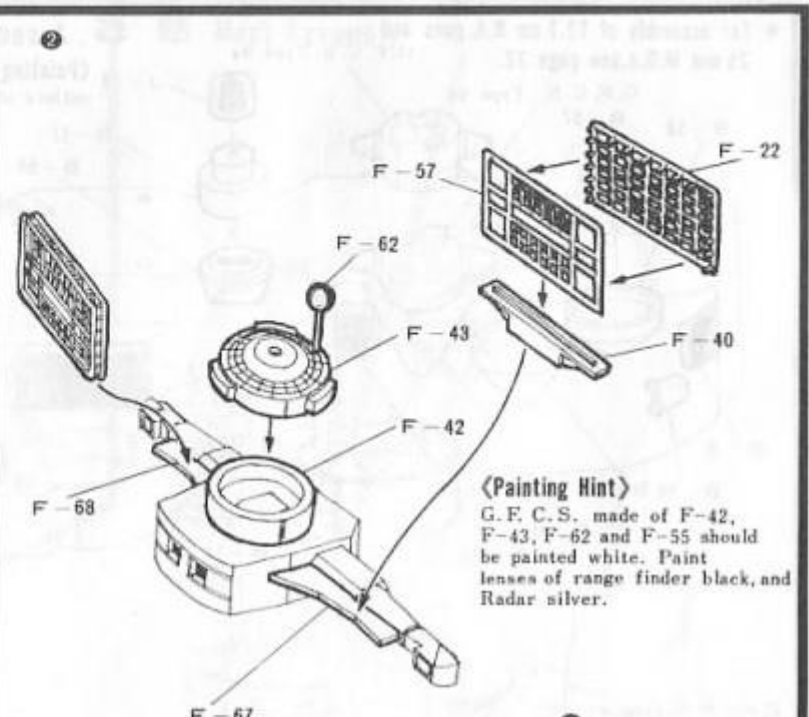
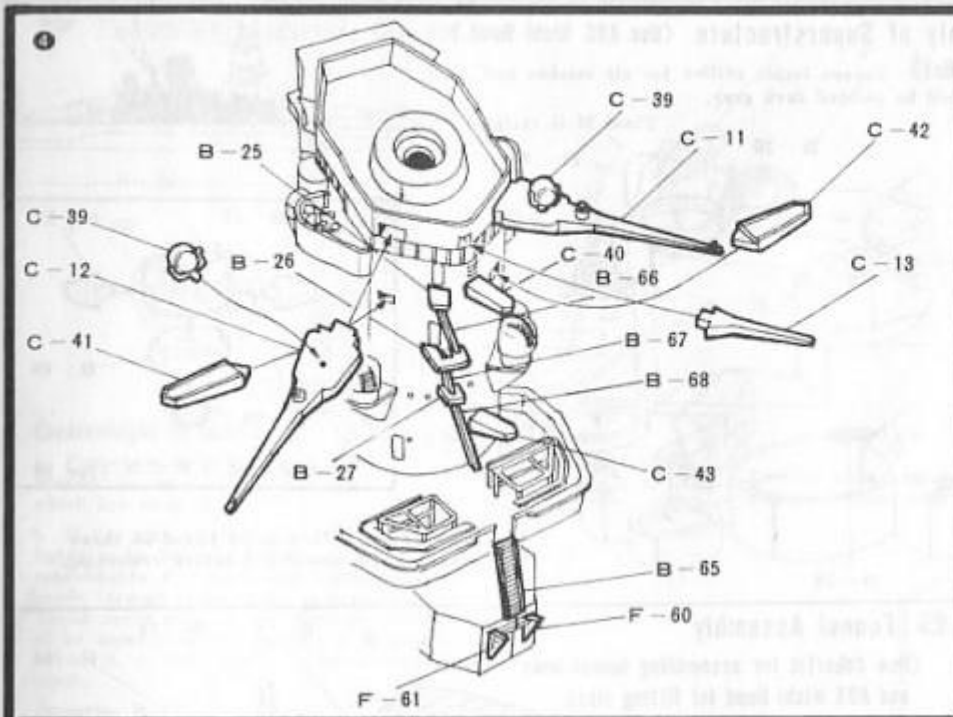


Fitting antenna (Use ABS Nichi Bond.)



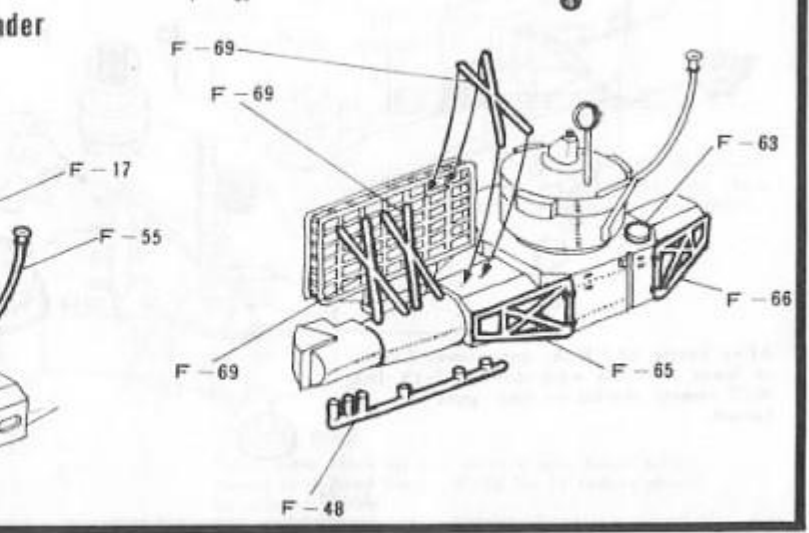
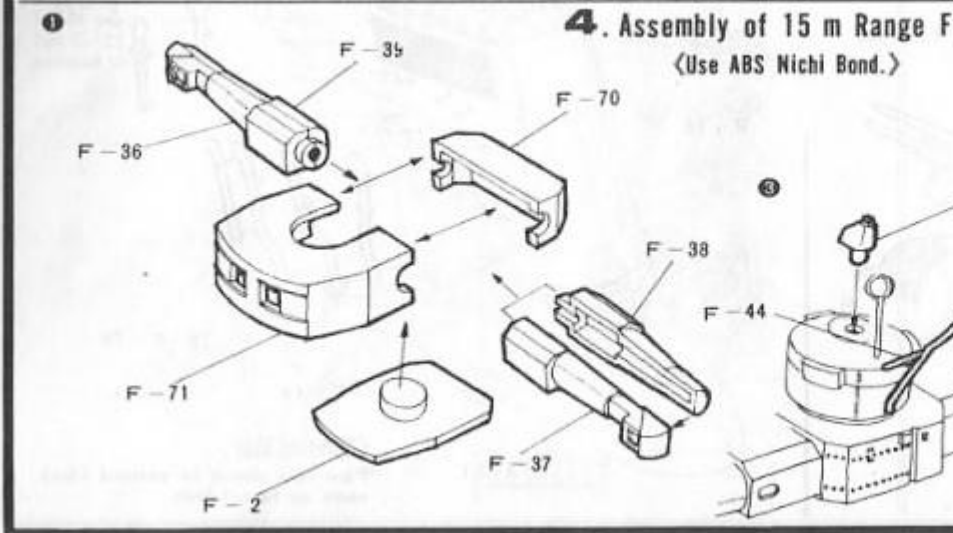
3. Bridge Assembly (Use ABS Nichi Bond.)





<Painting Hint>
 G. E. C. S. made of F-42, F-43, F-62 and F-55 should be painted white. Paint lenses of range finder black, and Radar silver.

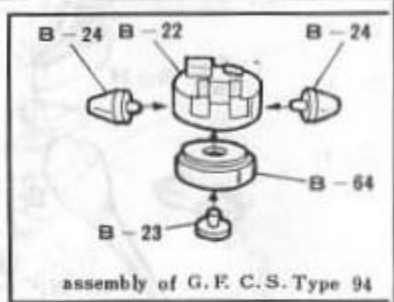
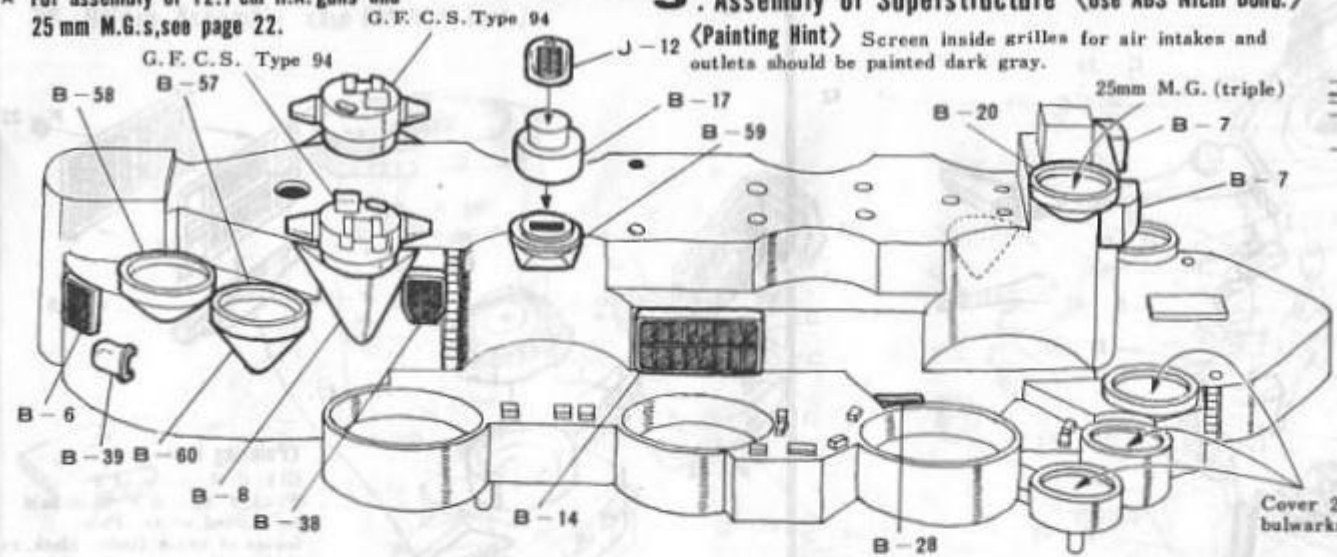
4. Assembly of 15 m Range Finder
 <Use ABS Nichi Bond.>



★ For assembly of 12.7 cm H.A. guns and 25 mm M.G.s, see page 22.

5. Assembly of Superstructure (Use ABS Nichi Bond.)

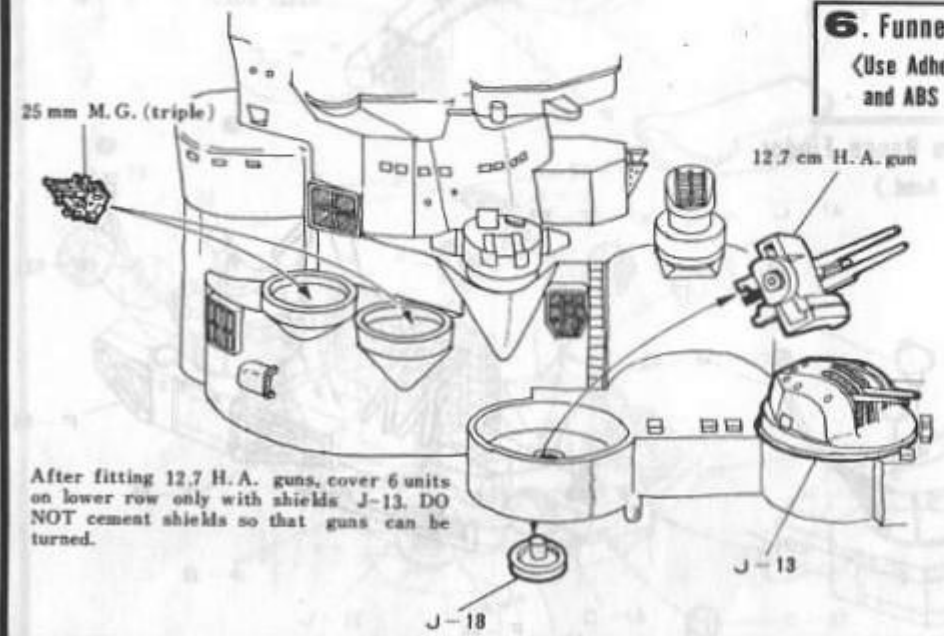
(Painting Hint) Screen inside grilles for air intakes and outlets should be painted dark gray.



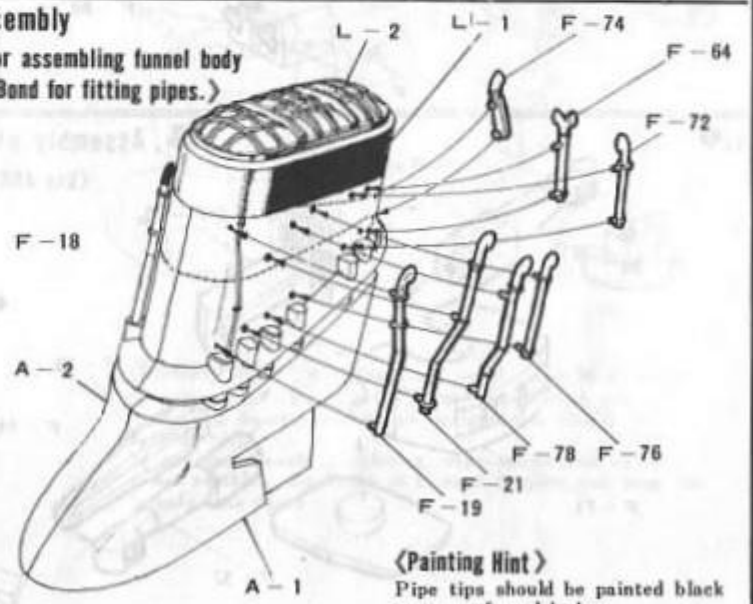
Cover 25 mm M.G.s to be fitted on these bulwarks with shield J-8 before cementing.

6. Funnel Assembly

(Use Adhertic for assembling funnel body and ABS Nichi Bond for fitting pipes.)

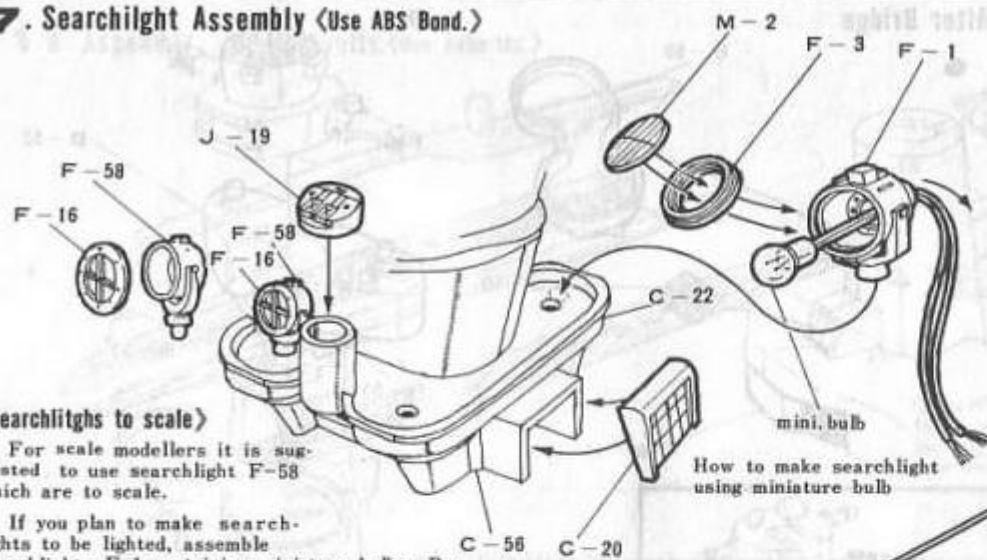


After fitting 12.7 H.A. guns, cover 6 units on lower row only with shields J-13. DO NOT cement shields so that guns can be turned.



(Painting Hint) Pipe tips should be painted black same as funnel body.

7. Searchlight Assembly (Use ABS Bond.)



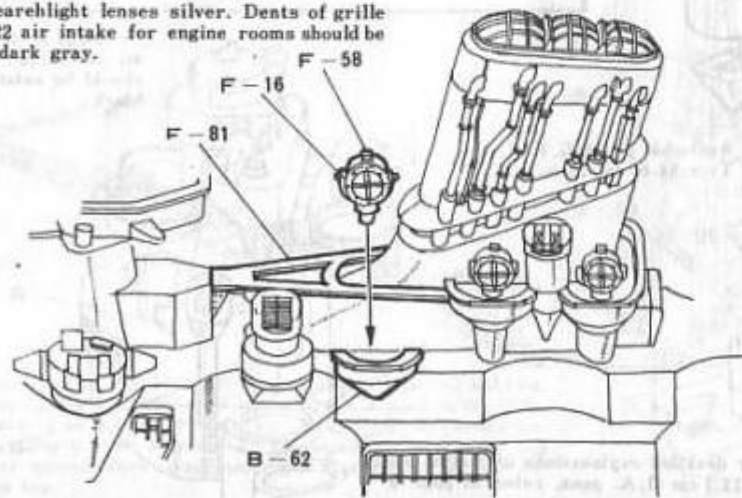
<searchlights to scale>

a. For scale modellers it is suggested to use searchlight F-58 which are to scale.

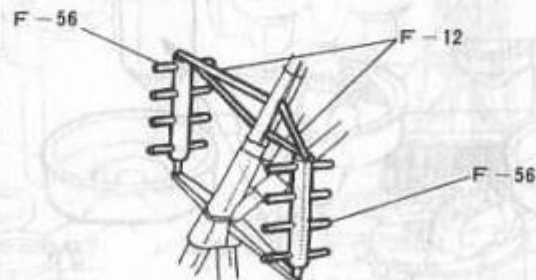
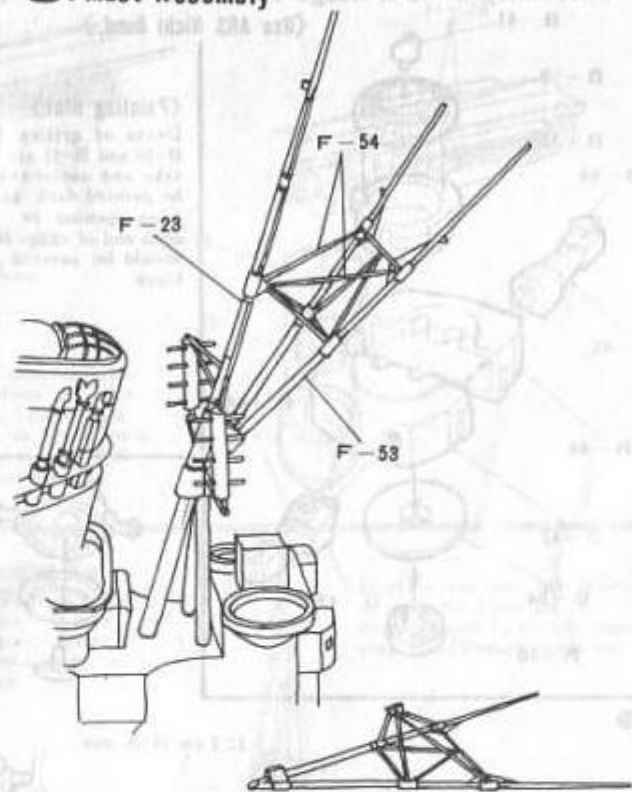
b. If you plan to make searchlights to be lighted, assemble searchlights F-1 containing miniature bulbs. Run cords through holes on C-24 searchlight deck. These cords must be run through 4 holes opened on superstructure top before cementing funnel to it, so that cords can be reached from beneath.

<Painting Hint>

Paint searchlight lenses silver. Dents of grille for C-22 air intake for engine rooms should be painted dark gray.



8. Mast Assembly

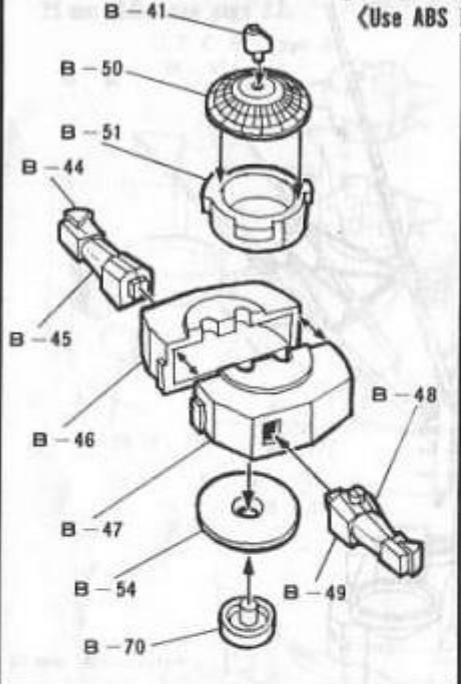


Carefully go on with cementing, as these gaff and stays are difficult to assemble.

<Painting Hint>

Paint mast black up the same height above which funnel is painted black. F-56 No.13 radars should be painted silver.

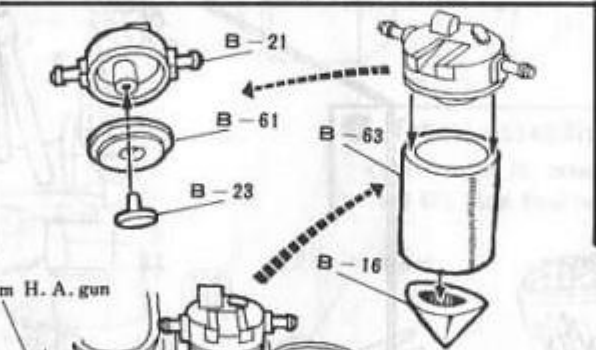
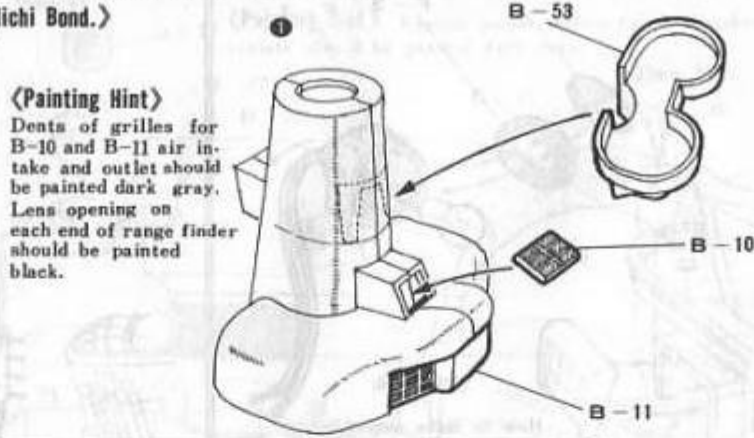
9. Assembly of 10 m Range Finder



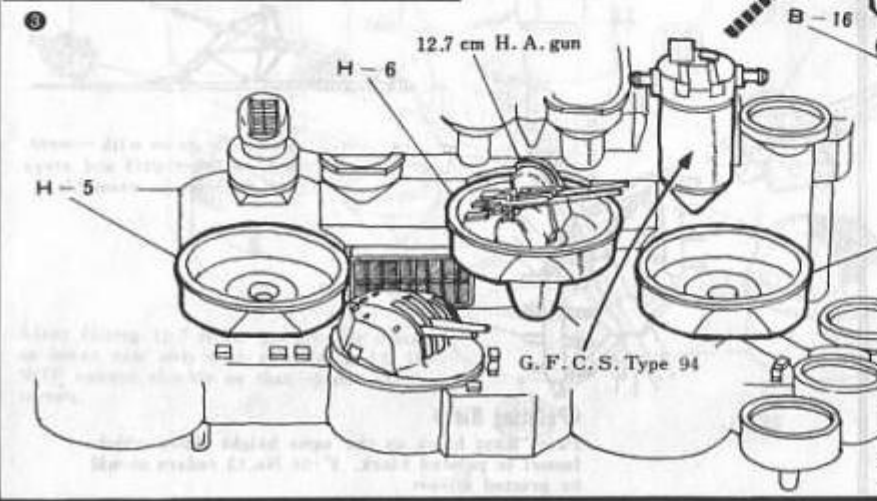
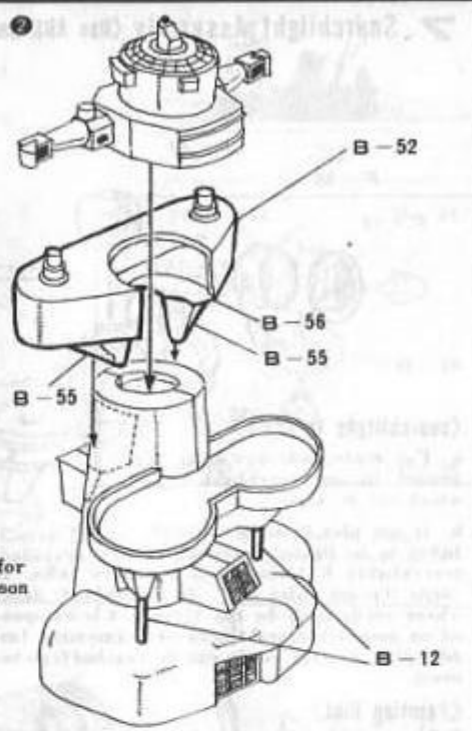
<Use ABS Nichi Bond.>

<Painting Hint>
Dents of grilles for B-10 and B-11 air intake and outlet should be painted dark gray. Lens opening on each end of range finder should be painted black.

10. Assembly of After Bridge

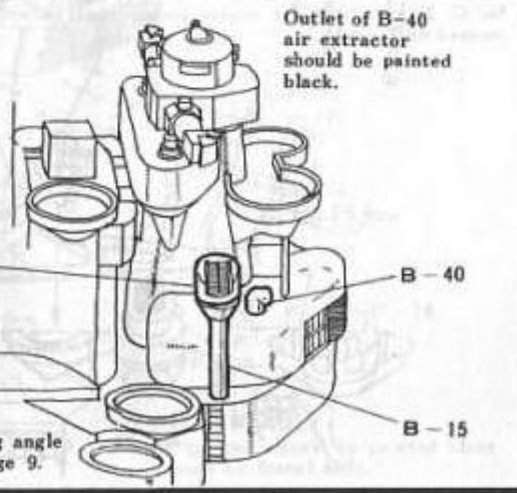


Cut B-12 pillars for 25 mm M.G. sponson to fit in position.



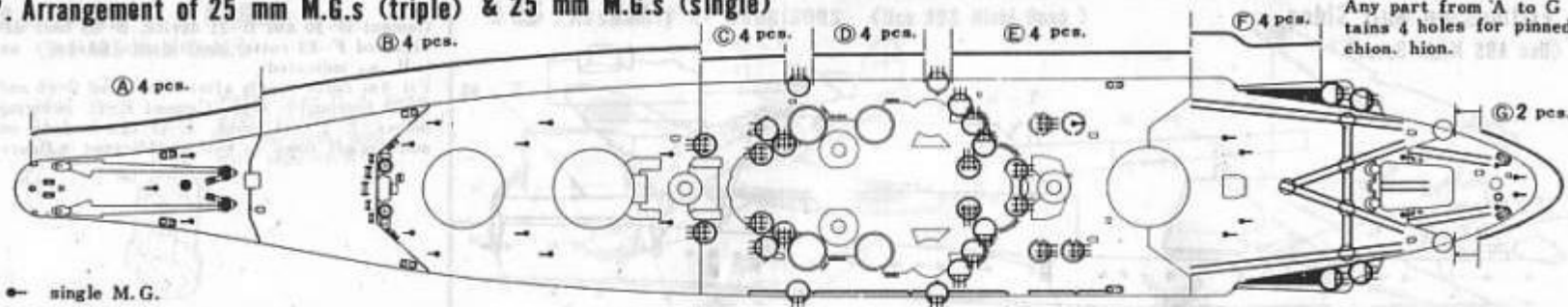
Assemble B-21 G.F.C.S. Type 94 to let them turn.

For detailed explanations of fitting angle of 12.7 cm H.A. guns, refer to page 9.



Outlet of B-40 air extractor should be painted black.

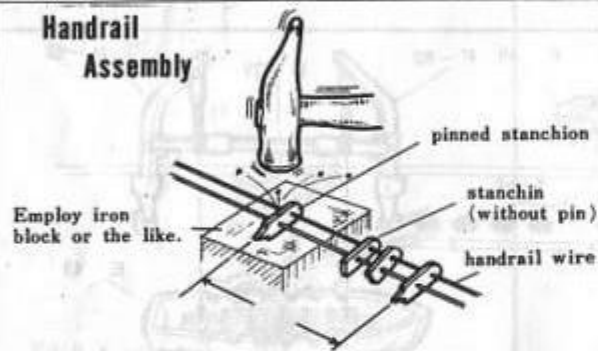
17. Arrangement of 25 mm M.G.s (triple) & 25 mm M.G.s (single)



Any part from 'A' to 'G' contains 4 holes for pinned stanchion. hion.

- single M.G.
- ⊗ triple M.G.
- ⊗ triple M.G. (with shield)

Handrail Assembly



These handrails may be omitted.

Although assembly of handrails requires much time, if you patiently continue on the work, they will give elaborate effect on your finished model.

If holes on deck plates are blocked or otherwise inaccessible, pierce them through with red hot handrail wire.

1. Lay out handrail wire cut into pieces A-G as shown in drawing. They must be cut to lengths of corresponding deck parts that are measured on your model plus 1mm margin allowing adjustment when fitting.

2) Insert 2 pieces of wire through holes of a pinned stanchion. Hammer it to fit on wire at the position to fit in the first hole on corresponding deck plate.

3) Measure distance between the present hole and the next one. Put stanchions (without pin) on wire at such a rate that distance between every 2 stanchions is 8.5mm-9mm. Therefore, where distance between two pinned stanchions is 18 mm, one stanchion must be placed, where 26mm, two, 33 mm, three, and so on.

4) Then put on the second pinned stanchion and hammer it fixed on wire at the position to fit into the next hole on same deck plate. Place stanchions, which are already put on wire, at equal intervals and hammer them fixed on wire. Thus every pinned stanchion and stanchion without pin should be fixed on handrail wire to fit the holes on deck plates.

5) When all handrails are ready, fix each on corresponding deck plate by hammering in stanchion pins into deck plate holes.

Handrails on deck No.4 should be fitted before cementing it to hull.

Assembly of Model Support (Use Adhertic.)

